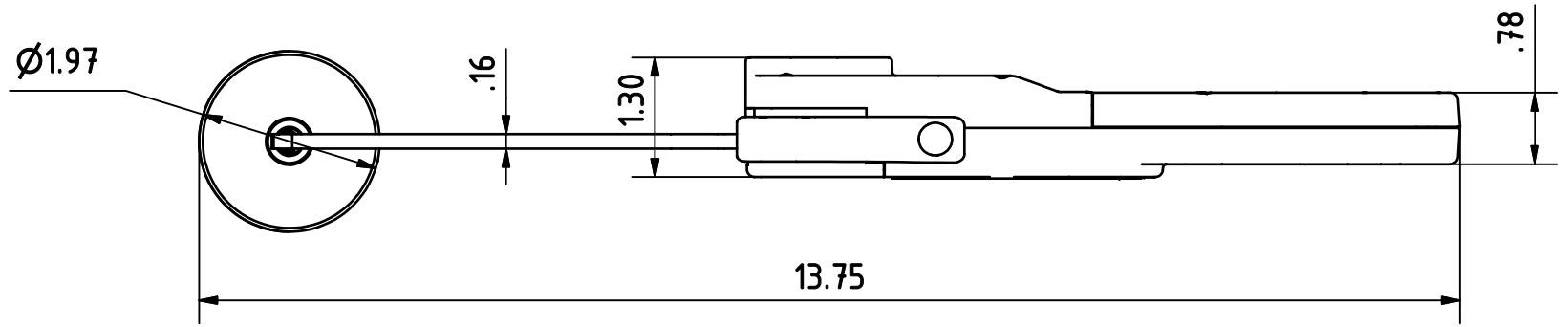
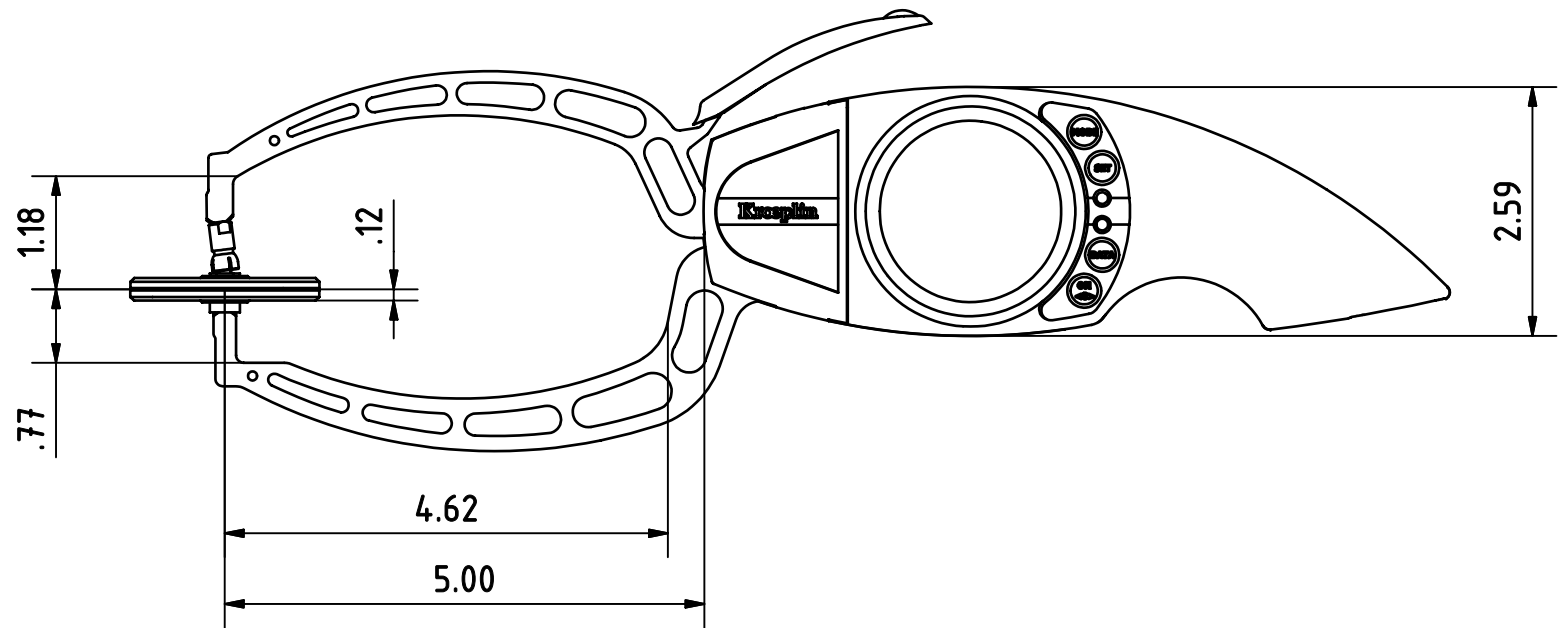


DATA SHEET: B440T

Kroeplin GmbH
 Gartenstraße 50
 36381 Schlüchtern

Telefon (06661)86 0
 Telefax (06661)86 39
 sales@kroeplin.com
 www.kroeplin.com

Kroeplin
 Längenmesstechnik



SUBJECT TO TECHNICAL ALTERATIONS

SCALE: 1:2

TYPE: B
 PRICECLASS: 22
 RANGE: 0 - 1.57 inch
 DIGITAL STEP: .001 inch

RANGE OF OPENING: 0 - 1.61 inch
 MEASURING FORCE: 1,0 - 1,5 N
 WEIGHT: 380g

ACCEPTABLE DEVIATIONS (VDI/WDE/DGQ 2618 Bl. 12.1/13.1)
 MAX. PERMISSIBLE ERRORS: G = .002 inch
 REPEATABILITY: r = .001 inch

REFERENCE TEMPERATURE: 20°C
 OPERATION TEMPERATURE: 10°C - 30°C
 STORAGE TEMPERATURE: -10°C - 50°C