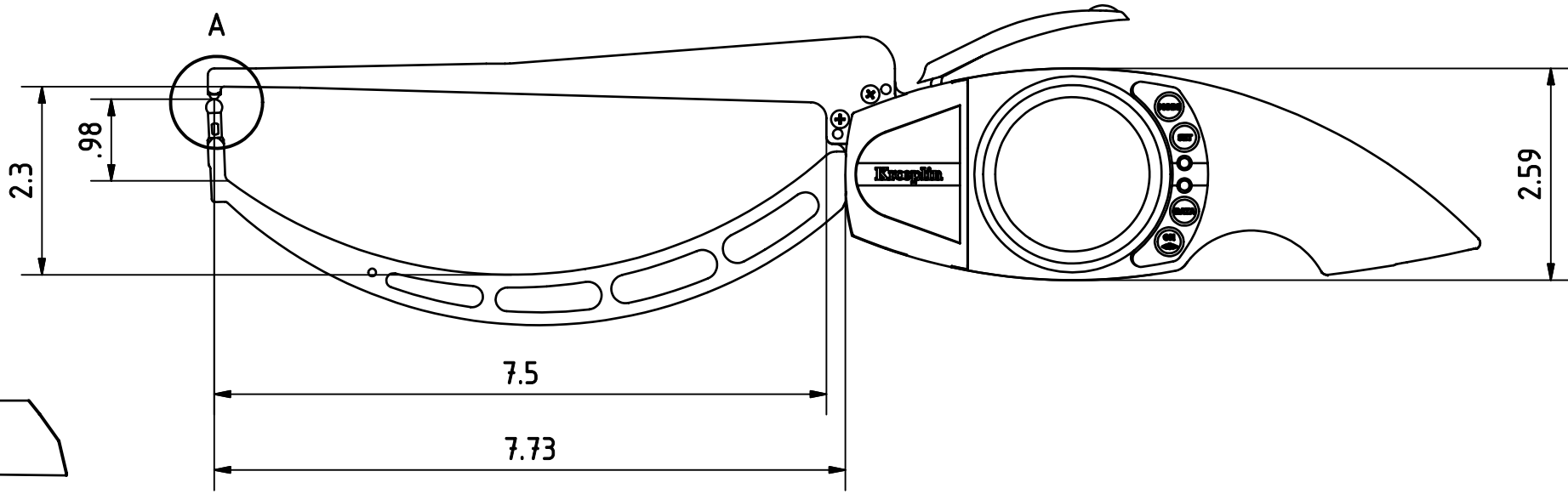


DATA SHEET: B6R60

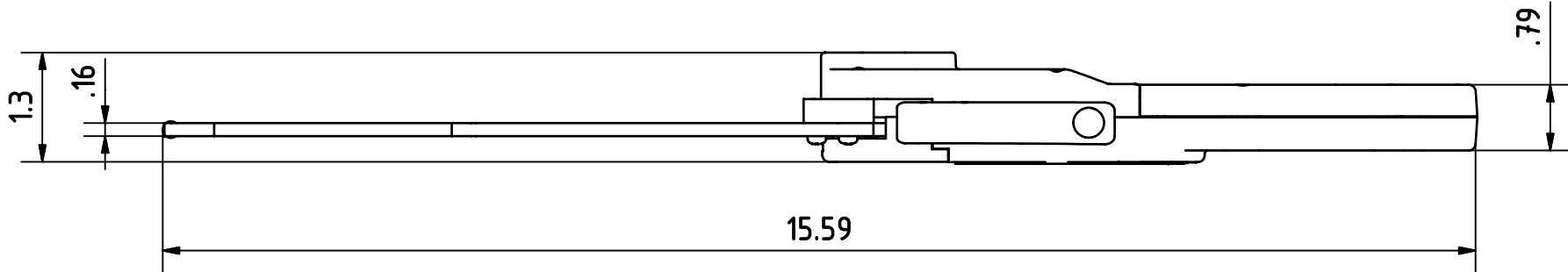
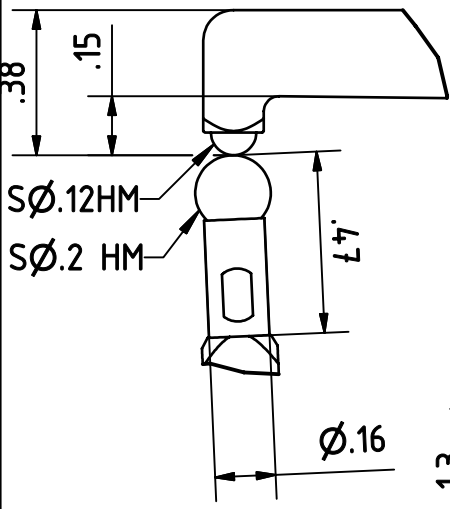
Kroepin GmbH
 Gartenstraße 50
 36381 Schlüchtern

Telefon (06661)86 0
 Telefax (06661)86 39
 sales@kroepin.com
 www.kroepin.com

Kroepin
 Längenmesstechnik



A (2:1)



SUBJECT TO TECHNICAL ALTERATIONS

SCALE: 1:2

TYPE: B
 PRICECLASS: 26
 RANGE: 0 - 2.36"
 DIGITAL STEP: .001"

RANGE OF INDICATION: 0 - 2.4"
 MEASURING FORCE: 0,9-1,2 N
 WEIGHT: 470 g

ACCEPTABLE DEVIATIONS (VDI/VDE/DGQ 2618 Bl. 12.1/13.1)
 MAX. PERMISSIBLE ERRORS: $G = .003''$
 REPEATABILITY: $r = .002''$

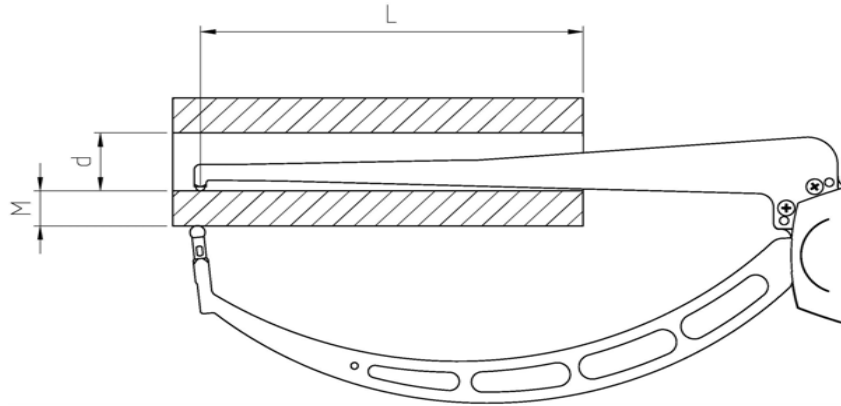
REFERENCE TEMPERATURE: 20°C
 OPERATION TEMPERATURE: 10°C - 30°C
 STORAGE TEMPERATURE: -10°C - 50°C

DATA SHEET: B6R60

Kroepin GmbH
 Gartenstraße 50
 36381 Schlüchtern

Telefon (06661)86 0
 Telefax (06661)86 39
 sales@kroepin.com
 www.kroepin.com

Kroepin
 Längenmesstechnik



internal diameter d [inch]

Measuring Range M [inch]

	.20	.39	.59	.79	.98	1.18	1.38	1.57	1.77	1.97	2.17	2.36
.39	.28	.26	.28	.31	.41	.55	.71	1.00	1.79	3.94	4.84	6.34
.43	.87	.83	.87	.96	1.14	1.38	1.77	2.44	3.84	4.57	5.71	6.34
.47	.40	1.32	.40	1.59	1.83	2.22	2.89	3.80	4.41	5.26	6.42	6.34
.51	1.93	1.83	1.93	2.17	2.54	3.05	3.78	4.27	4.96	5.93	6.42	6.34
.55	2.46	2.32	2.48	2.76	3.21	3.76	4.21	4.76	5.51	6.54	6.42	6.34
.59	2.93	2.87	3.01	3.39	3.78	4.13	4.63	5.26	6.10	6.54	6.42	6.34
.63	3.58	3.37	3.54	3.86	4.13	4.53	.06	5.67	6.61	6.54	6.42	6.34
.67	3.88	3.76	3.90	4.13	4.49	4.92	5.49	6.22	6.61	6.54	6.42	6.34
.71	4.17	4.06	4.21	4.49	4.82	5.35	5.93	6.73	6.61	6.54	6.42	6.34
.75	4.49	4.35	4.49	4.82	5.18	5.73	6.34	6.73	6.61	6.54	6.42	6.34
.79	4.78	4.65	4.80	5.12	5.53	6.06	6.77	6.73	6.61	6.54	6.42	6.34
		L										

L = max. measuring depth [inch]