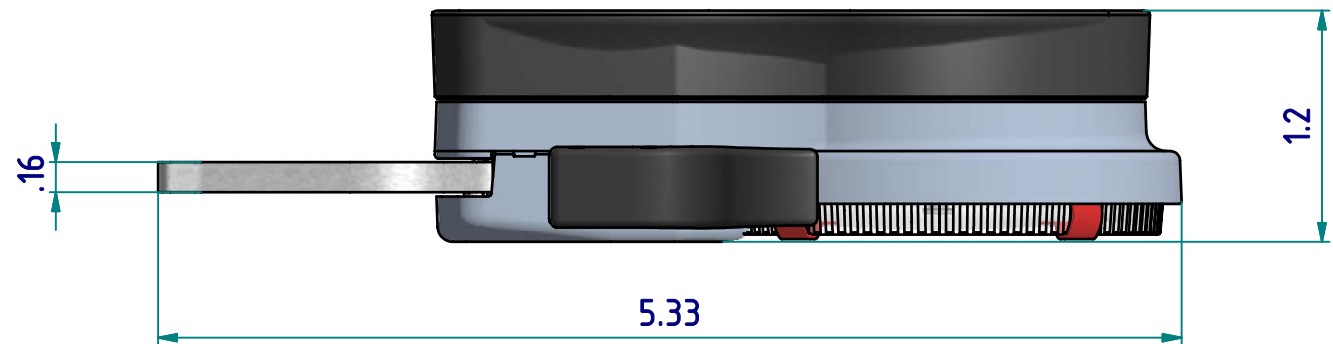
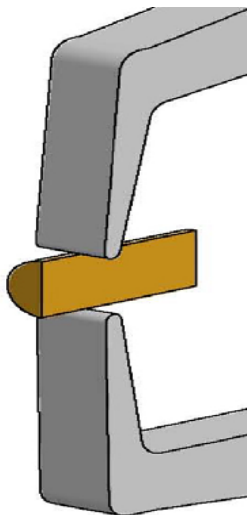
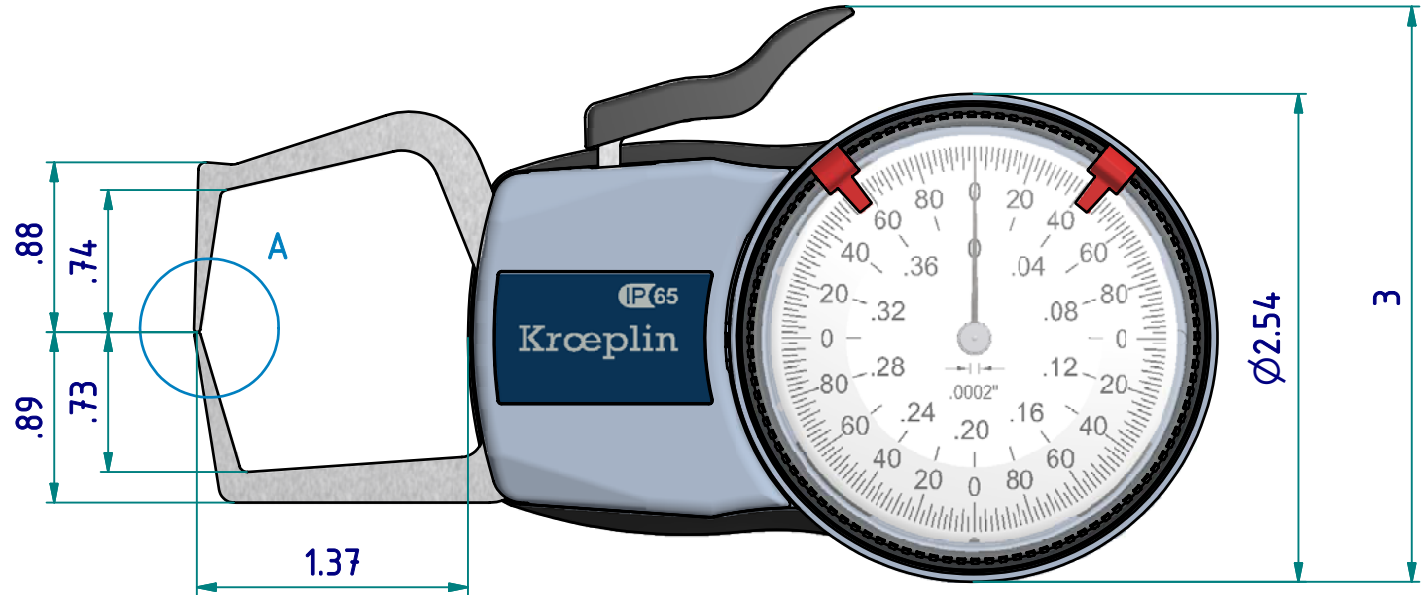
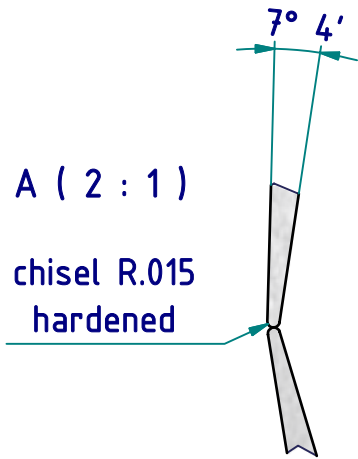


data sheet: D610S

Kroepin GmbH
Gartenstraße 50
D-36381 Schlüchtern

Tel.: 06661 86 0
Fax: 06661 86 39
Mail: sales@kroepin.com
Web: www.kroepin.com

Kroepin
Längenmesstechnik



subject to technical alterations

type: D
range: 0 - .40 INCH
range of indication: 0 - .41 INCH
digital step: -
scale interval: .0002 INCH
measuring force: 0,8 - 1,2 N
weight: 165 g

acceptable deviations
VDI/VDE/DGQ 2618 Bl. 12.1/13.1)
max. permissible errors "G": .0008 INCH
repeatability "r": .0002 INCH
reference temperature: 20° C
operation temperature: 10° C - 30° C
storage temperature: -10° C - 50° C

scale: 1:1
drawing-nr.: DAB-D610S_KR_I
date of issue: 19.03.09
name: T.Koenig
revision status:
revision date: