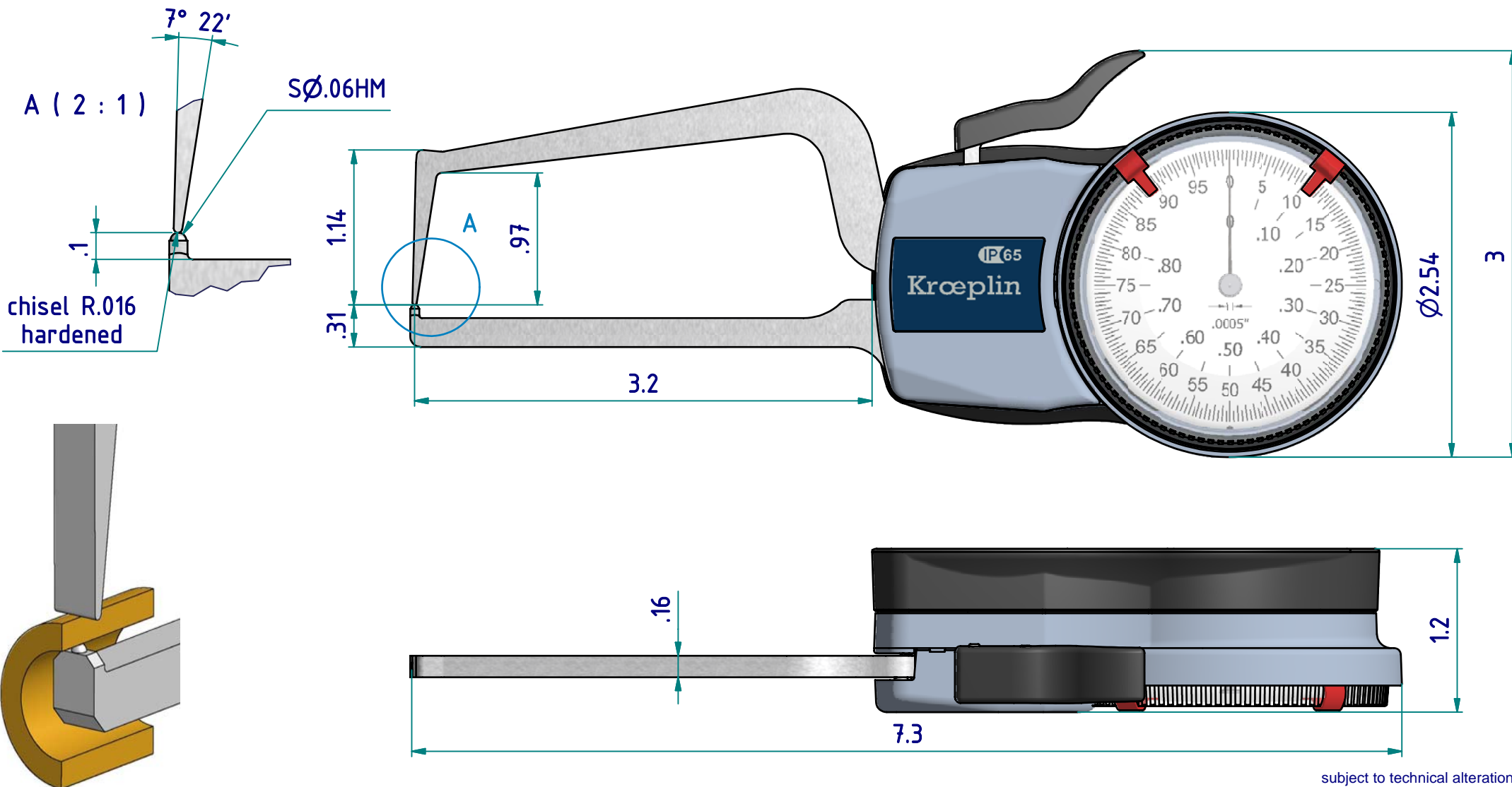


data sheet: D7R20S

Kroepelin GmbH
Gartenstraße 50
D-36381 Schlüchtern

Tel.: 06661 86 0
Fax: 06661 86 39
Mail: sales@kroepelin.com
Web: www.kroepelin.com

Kroepelin
Längenmesstechnik

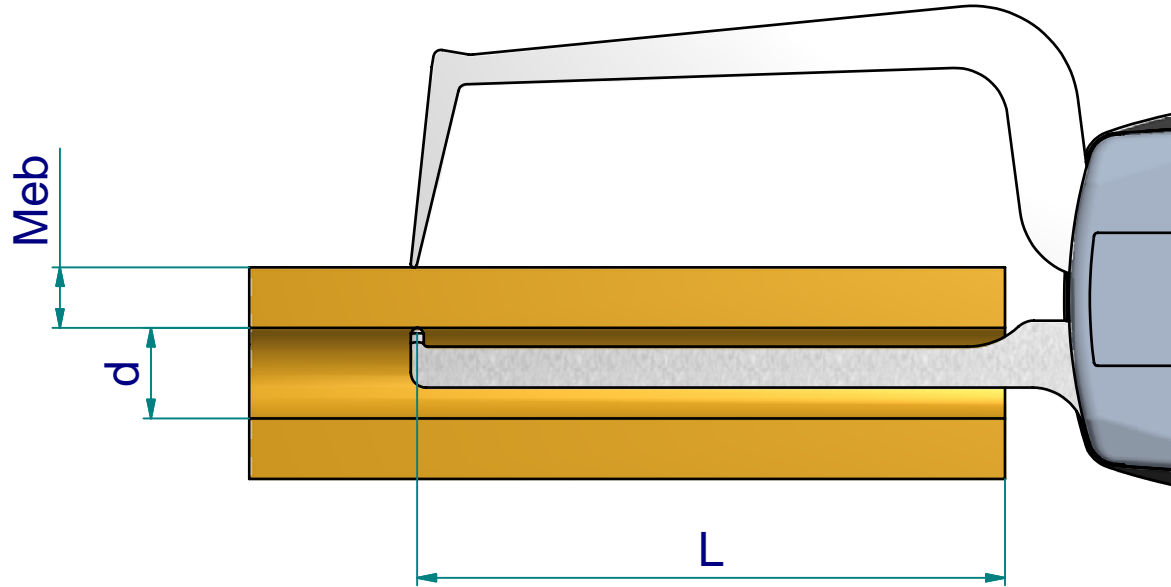


subject to technical alterations

type: D
range: 0 - .80 INCH
range of indication: 0 - .82 INCH
digital step: -
scale interval: .0005 INCH
measuring force: 1,1 - 1,6 N
weight: 200 g

acceptable deviations
VDI/VDE/DGQ 2618 Bl. 12.1/13.1)
max. permissible
errors "G": .0015 INCH
repeatability "r": .0005 INCH
reference temperature: 20° C
operation temperature: 10° C - 30° C
storage temperature: -10° C - 50° C

scale: 1:1
drawing-nr.: DAB-D7R20S_KR_I
date of issue: 14.01.09
name: T.Koenig
revision status:
revision date:



measuring capacity

internal diameter d [INCH]	measuring range Meb [INCH]									
	.02	.08	.16	.24	.31	.39	.47	.59	.71	.79
.35	1.61	.76	.69	.73	.83	1.01	1.32	2.59	3.12	3.08
.39	3.26	1.62	1.46	1.55	1.76	2.14	2.79	3.16	3.12	3.08
.43	3.34	2.48	2.23	2.36	2.70	3.18	3.17	3.16	3.12	3.08
.47	3.36	3.26	3.00	3.18	3.20	3.18	3.17	3.16	3.12	3.08
.51	3.36	3.33	3.28	3.23	3.20	3.18	3.17	3.16	3.12	3.08
> .55	3.36	3.37	3.28	3.23	3.20	3.18	3.17	3.16	3.12	3.08
	L									

L = maximum usable arm length [INCH] Example:
 d = .43 Meb = .16 L = 2.23

subject to technical alterations

drawing-nr.:	DAB-D7R20S_KR_I
date of issue:	14.01.09
name:	T.Koenig
revision status:	
revision date:	