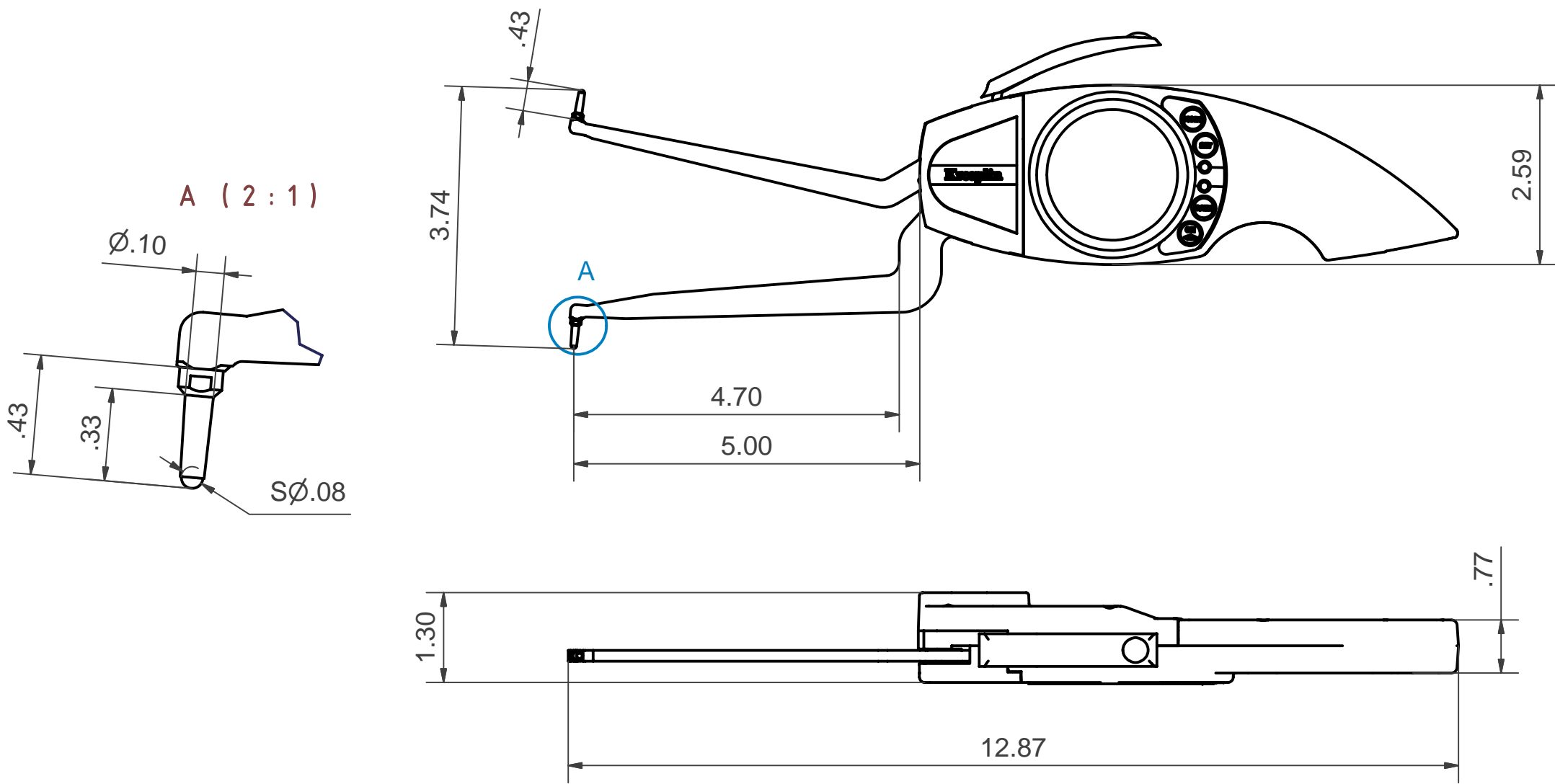


DATA SHEET: F455

Kroeplin GmbH
 Gartenstraße 50
 36381 Schlüchtern

Telefon (06661)86 0
 Telefax (06661)86 39
 sales@kroeplin.com
 www.kroeplin.com

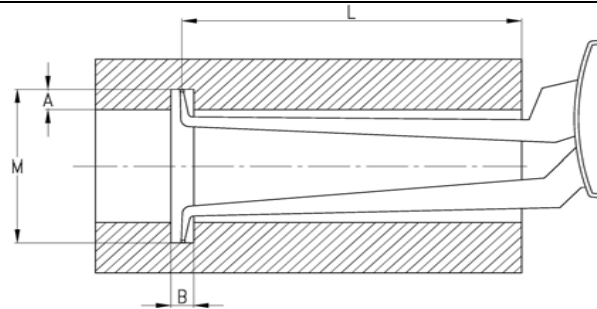
Kroeplin
 Längenmesstechnik



SUBJECT TO TECHNICAL ALTERATIONS

SCALE: 1:2

TYPE: F	PRICECLASS: 22	RANGE OF INDICATION: 2.13 - 3.78 INCH	ACCEPTABLE DEVIATIONS (VDI/VDE/DGQ 2618 Bl. 12.1/13.1)	REFERENCE TEMPERATURE: 20°C
RANGE:	2.17 - 3.74 INCH	MEASURING FORCE: 1.3 - 1.8 N	MAX. PERMISSIBLE ERRORS: G = .002 INCH	OPERATION TEMPERATURE: 10°C - 30°C
DIGITAL STEP: .001 INCH	WEIGHT: 380 g		REPEATABILITY: r = .001 INCH	STORAGE TEMPERATURE: -10°C - 50°C



Measuring Range M [inch]

Groove Depth A

	2.17	2.20	2.24	2.28	2.32	2.36	2.40	2.44	2.48	2.64	2.80	2.95	3.11	3.27	3.43	3.58	3.74
0	0/4.51	0/4.55	0/4.59	0/4.63	0/4.67	0/4.70	0/4.74	0/4.76	0/4.80	0/4.96	0/4.96	0/4.96	0/4.98	0/5.00	0/5.18	0/5.45	0/5.77
.02		.07/4.53	.07/4.57	.07/4.61	.07/4.65	.07/4.69	.07/4.72	.07/4.76	.07/4.78	.07/4.94	.07/4.96	.07/4.96	.07/4.98	.07/4.98	.07/5.12	.07/5.39	.07/5.71
.04			.09/4.55	.09/4.59	.09/4.63	.09/4.67	.09/4.70	.09/4.72	.09/4.76	.09/4.92	.09/4.96	.09/4.96	.09/4.98	.09/4.98	.09/5.08	.09/5.35	.09/5.65
.06				.09/4.96	.09/4.61	.09/4.65	.09/4.69	.09/4.72	.09/4.74	.09/4.90	.09/4.96	.09/4.96	.09/4.96	.09/4.98	.09/5.02	.09/5.30	.09/5.59
.08					.09/4.98	.09/4.63	.09/4.65	.09/4.69	.09/4.72	.09/4.88	.09/4.96	.10/4.96	.10/4.96	.10/4.98	.10/4.98	.10/5.24	.10/5.53
.10						.10/4.61	.10/4.65	.10/4.67	.10/4.70	.10/4.86	.10/4.96	.10/4.96	.10/4.96	.10/4.98	.11/4.98	.11/5.20	.11/5.47
.12							.10/4.61	.10/4.65	.10/4.69	.10/4.80	.10/4.96	.10/4.96	.11/4.96	.11/4.96	.11/4.96	.11/5.16	.11/5.41
.14								.10/4.63	.10/4.67	.10/4.80	.11/4.96	.11/4.96	.11/4.96	.11/4.96	.11/4.96	.11/5.10	.11/5.37
.16									.11/4.65	.11/4.78	.11/4.94	.11/4.96	.11/4.96	.11/4.96	.12/4.96	.12/5.06	.12/5.31
.18										.11/4.76	.11/4.92	.11/4.96	.12/4.96	.12/4.96	.12/4.96	.12/5.02	.13/5.28
.20										.11/4.74	.11/4.88	.12/4.94	.12/4.96	.12/4.96	.13/4.96	.13/4.96	.13/5.22
.22										.11/4.72	.11/4.86	.12/4.94	.12/4.94	.13/4.94	.13/4.96	.13/4.96	.13/5.16
.24										.11/4.70	.12/4.84	.12/4.94	.13/4.94	.13/4.94	.13/4.94	.14/4.94	.14/5.12
.26											.12/4.82	.13/4.94	.13/4.94	.13/4.94	.14/4.94	.14/4.94	.14/5.08
.28											.13/4.80	.13/4.94	.13/4.94	.14/4.94	.14/4.94	.15/4.94	.15/5.04
.30											.13/4.76	.13/4.92	.14/4.94	.14/4.94	.15/4.94	.15/4.94	.15/4.98
.31											.13/4.74	.13/4.88	.14/4.94	.15/4.94	.15/4.94	.15/4.92	.16/4.94
		B/L															

B = min. groove width [inch]
L = max. useable arm length [inch]