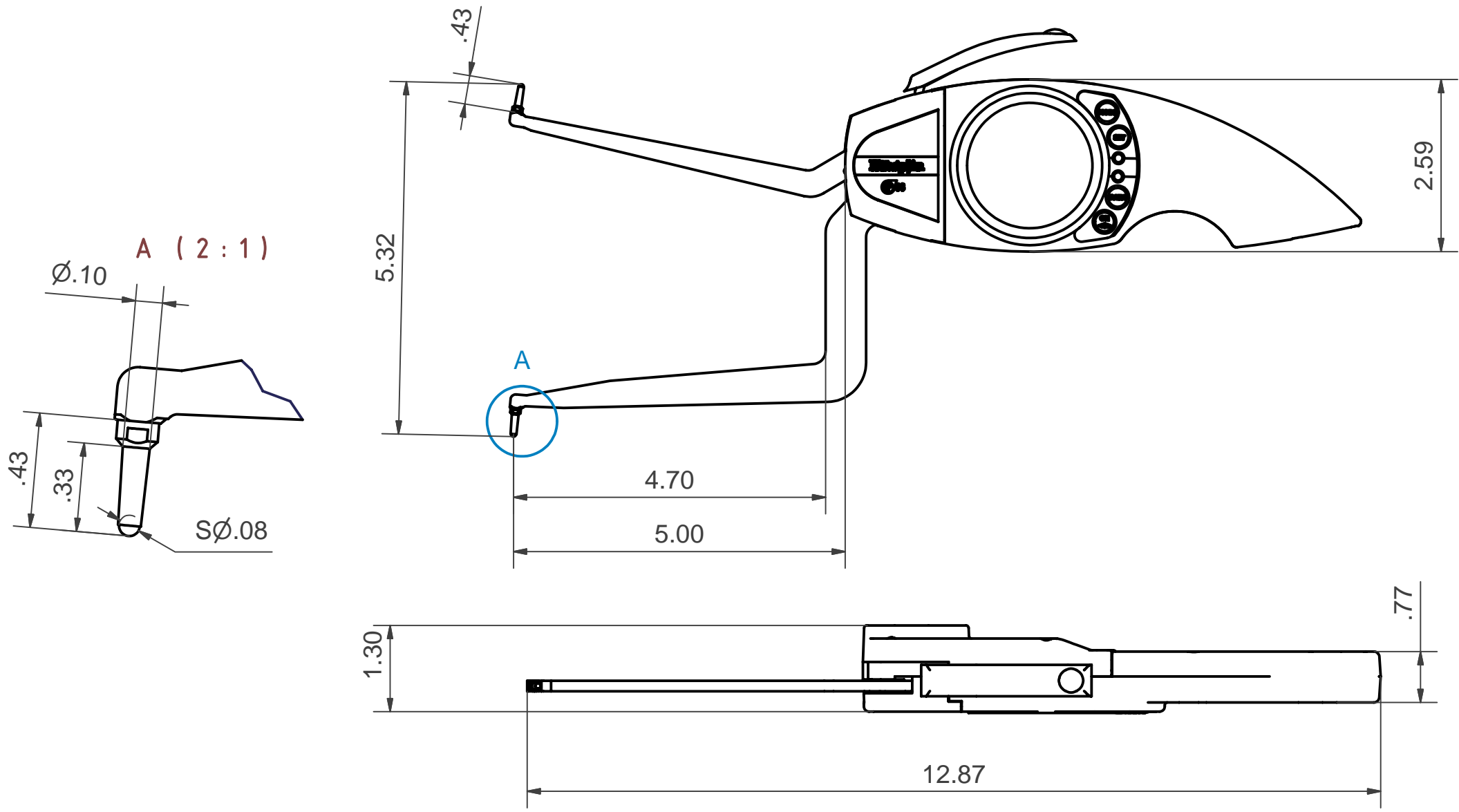


DATA SHEET: F495

Kroeplin GmbH
 Gartenstraße 50
 36381 Schlüchtern

Telefon (06661)86 0
 Telefax (06661)86 39
 sales@kroeplin.com
 www.kroeplin.com

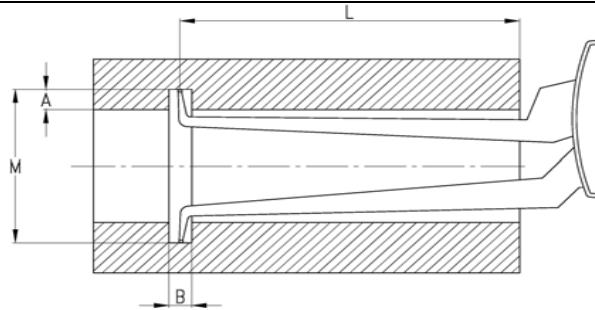
Kroeplin
 Längenmesstechnik



SUBJECT TO TECHNICAL ALTERATIONS

SCALE: 1:2

TYPE: F	PRICECLASS: 22	RANGE OF INDICATION: 3.70 - 5.35 INCH	ACCEPTABLE DEVIATIONS (VDI/VDE/DGQ 2618 Bl. 12.1/13.1)	REFERENCE TEMPERATURE: 20°C
RANGE: 3.75 - 5.32 INCH	MEASURING FORCE: 1.3 - 1.8 N	WEIGHT: 380 g	MAX. PERMISSIBLE ERRORS: G = .002 INCH	OPERATION TEMPERATURE: 10°C - 30°C
DIGITAL STEP: .001 INCH			REPEATABILITY: r = .001 INCH	STORAGE TEMPERATURE: -10°C - 50°C



Measuring Range M [inch]

Groove Depth A

	3.74	3.78	3.82	3.86	3.90	3.94	3.98	4.02	4.06	4.21	4.37	4.53	4.69	4.84	5.00	5.16	5.31
0	0/4.51	0/4.55	0/4.59	0/4.63	0/4.65	0/4.69	0/4.72	0/4.76	0/4.80	0/4.96	0/4.96	0/4.96	0/4.98	0/5.00	0/5.24	0/5.57	0/5.96
.02		.07/4.53	.07/4.57	.07/4.61	.07/4.65	.07/4.67	.07/4.70	.07/4.74	.07/4.78	.07/4.92	.07/4.96	.07/4.96	.07/4.98	.07/5.00	.07/5.20	.07/5.51	.07/5.89
.04			.09/4.55	.09/4.59	.09/4.61	.09/4.65	.09/4.69	.09/4.72	.09/4.76	.09/4.92	.09/4.96	.09/4.96	.09/4.98	.09/4.98	.09/5.14	.09/5.47	.09/5.83
.06				.09/4.57	.09/4.61	.09/4.63	.09/4.67	.09/4.70	.09/4.74	.09/4.88	.09/4.96	.09/4.96	.09/4.96	.09/4.98	.10/5.10	.10/5.41	.10/5.75
.08					.09/4.57	.09/4.61	.09/4.65	.09/4.69	.09/4.72	.09/4.86	.10/4.96	.10/4.96	.10/4.96	.10/4.98	.10/5.04	.10/5.35	.10/5.69
.10						.10/4.59	.10/4.63	.10/4.67	.10/4.70	.10/4.84	.10/4.96	.10/4.96	.10/4.96	.11/4.98	.11/5.00	.11/5.30	.11/5.63
.12							.10/4.61	.10/4.65	.10/4.69	.10/4.82	.10/4.96	.11/4.96	.11/4.96	.11/4.96	.11/4.98	.11/5.26	.11/5.57
.14								.10/4.63	.11/4.65	.10/4.80	.11/4.96	.11/4.96	.11/4.96	.11/4.96	.11/4.96	.12/5.20	.12/5.51
.16									.11/4.65	.11/4.78	.11/4.92	.11/4.96	.11/4.96	.12/4.96	.12/4.96	.12/5.16	.12/5.45
.18										.11/4.76	.11/4.90	.11/4.96	.12/4.96	.12/4.96	.13/4.96	.13/5.10	.13/5.39
.20										.11/4.72	.12/4.88	.12/4.94	.12/4.96	.13/4.96	.13/4.96	.13/5.06	.13/5.35
.22										.11/4.70	.12/4.86	.12/4.94	.13/4.94	.13/4.96	.13/4.96	.14/5.00	.14/5.30
.24										.11/4.69	.12/4.84	.13/4.94	.13/4.94	.13/4.94	.14/4.96	.14/4.96	.15/5.24
.26											.13/4.80	.13/4.94	.13/4.94	.14/4.94	.14/4.94	.15/4.96	.15/5.20
.28											.13/4.78	.13/4.94	.14/4.94	.14/4.94	.15/4.94	.15/4.94	.15/5.14
.30											.13/4.76	.13/4.92	.14/4.94	.15/4.94	.15/4.94	.15/4.94	.16/5.10
.31											.13/4.74	.14/4.92	.14/4.94	.15/4.94	.15/4.94	.16/4.94	.17/5.04
		B/L															

B = min. groove width [inch]

L = max. useable arm length [inch]