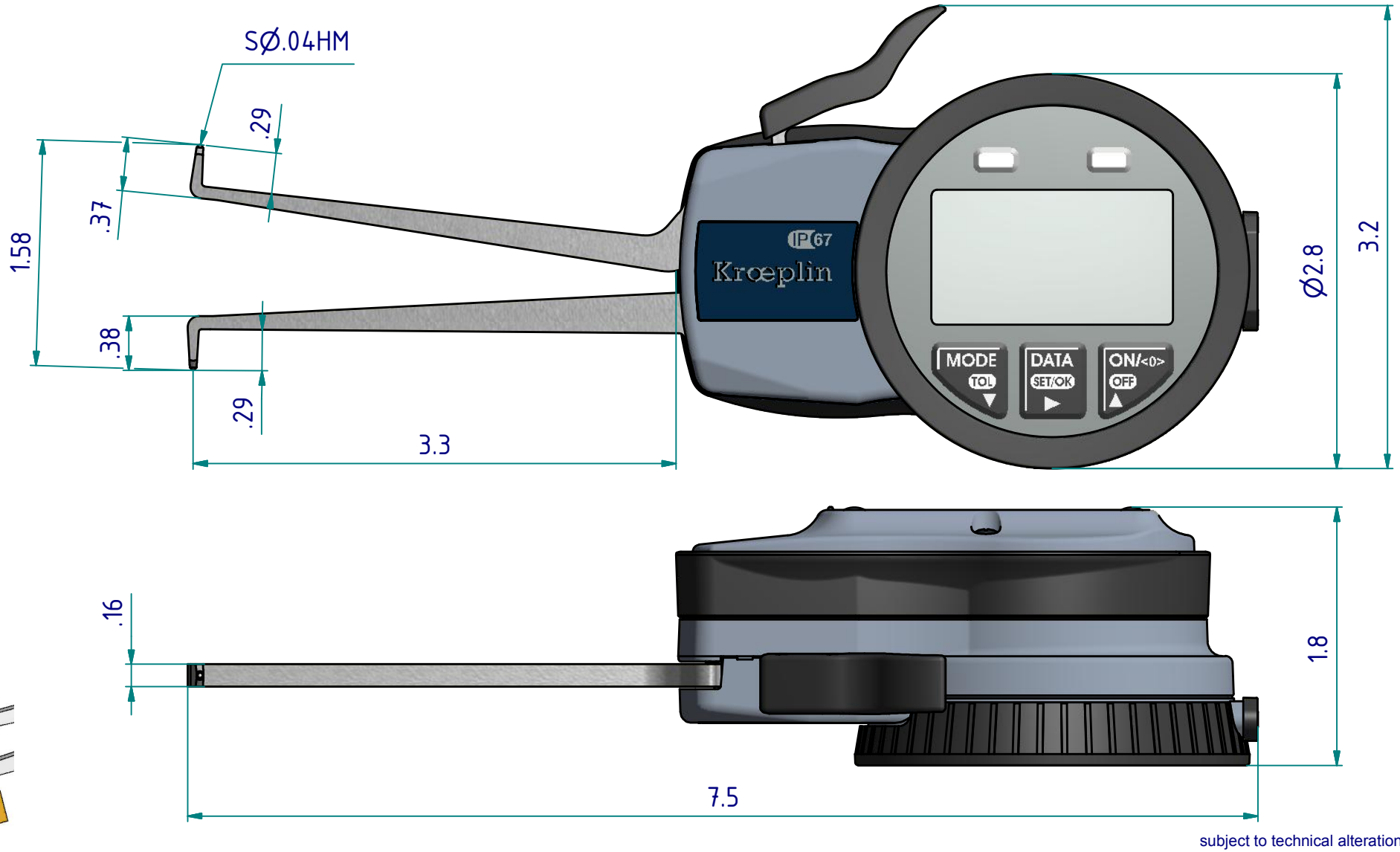


# data sheet: G220

Kroepelin GmbH  
Gartenstraße 50  
D-36381 Schlüchtern

Tel.: 06661 86 0  
Fax: 06661 86 39  
Mail: sales@kroepelin.com  
Web: www.kroepelin.com

**Kroepelin**  
Längenmesstechnik

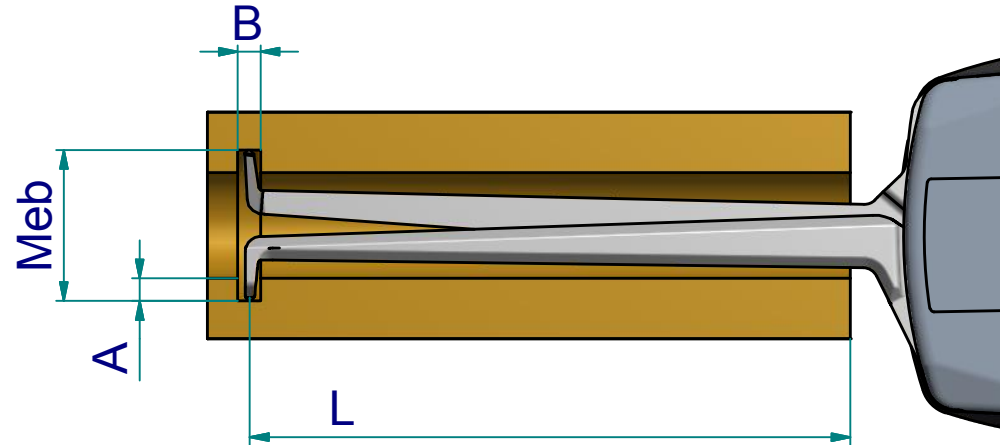


subject to technical alterations

**type:** G  
**range:** .79 - 1.58 INCH  
**range of indication:** .7675 - 1.5945 INCH  
**digital step:** .0005 INCH  
**scale interval:** -  
**measuring force:** 1,1 - 1,6 N  
**weight:** 250 g

acceptable deviations  
VDI/VDE/DGQ 2618 Bl. 12.1/13.1)  
**max. permissible errors "G":** .0015 INCH  
**repeatability "r":** .0005 INCH  
**reference temperature:** 20° C  
**operation temperature:** 10° C - 30° C  
**storage temperature:** -10° C - 50° C

**scale:** 1:1  
**drawing-nr.:** DAB-G220\_KR\_I  
**date of issue:** 07.01.09  
**name:** M. Balzer  
**revision status:** 001  
**revision date:** 08.03.10



measuring capacity

groove depth A [Inch]	measuring range Meb [inch]									
	.79	.87	.94	1.02	1.10	1.18	1.26	1.38	1.57	
0	0 / 3.07	0 / 3.30	0 / 3.33	0 / 3.35	0 / 3.41	0 / 3.42	0 / 3.43	0 / 3.44	0 / 3.46	
.039		.06 / 3.24	.06 / 3.31	.06 / 3.34	.06 / 3.39	.06 / 3.41	.06 / 3.42	.06 / 3.43	.06 / 3.45	
.079			.06 / 3.28	.06 / 3.33	.06 / 3.70	.06 / 3.40	.06 / 3.41	.06 / 3.43	.06 / 3.44	
.118				.07 / 3.30	.07 / 3.34	.07 / 3.38	.07 / 3.41	.07 / 3.42	.07 / 3.44	
.157					.07 / 3.31	.07 / 3.35	.07 / 3.39	.07 / 3.40	.07 / 3.43	
.197						.08 / 3.32	.08 / 3.36	.08 / 3.40	.08 / 3.42	
.236							.08 / 3.33	.08 / 3.38	.08 / 3.41	
.256								.09 / 3.37	.09 / 3.41	
	<b>B / L</b>									

subject to technical alterations

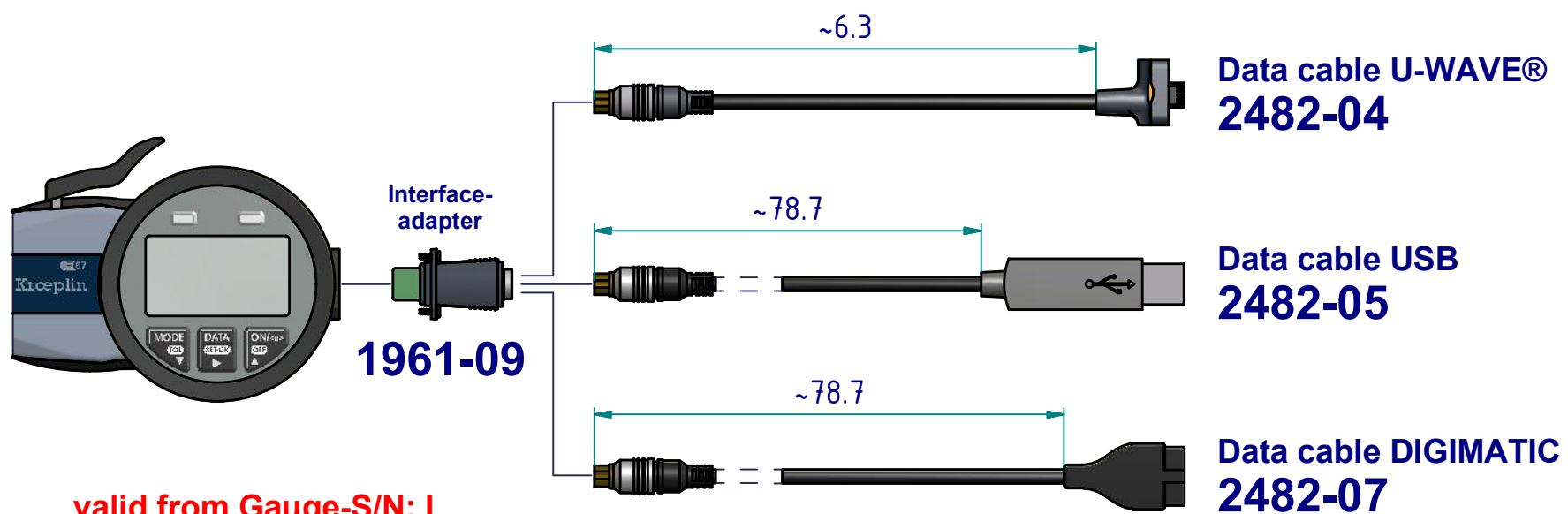
drawing-nr.: DAB-G220\_KR\_I  
date of issue: 07.01.09  
name: M. Balzer

revision status:  
revision date:

**B = minimum groove width [inch]**  
**L = maximum usable arm length [inch]**

Example: Meb = 1.02 B = .06  
A = .079 L = 3.33

interface as accessories available:



**valid from Gauge-S/N: I**  
**Always specify serial number**  
**when ordering Interfaces or accessories!**

subject to technical alterations

drawing-nr.:	DAB-G220_KR_I
date of issue:	07.01.09
name:	M. Balzer
revision status:	2043
revision date:	27.02.12