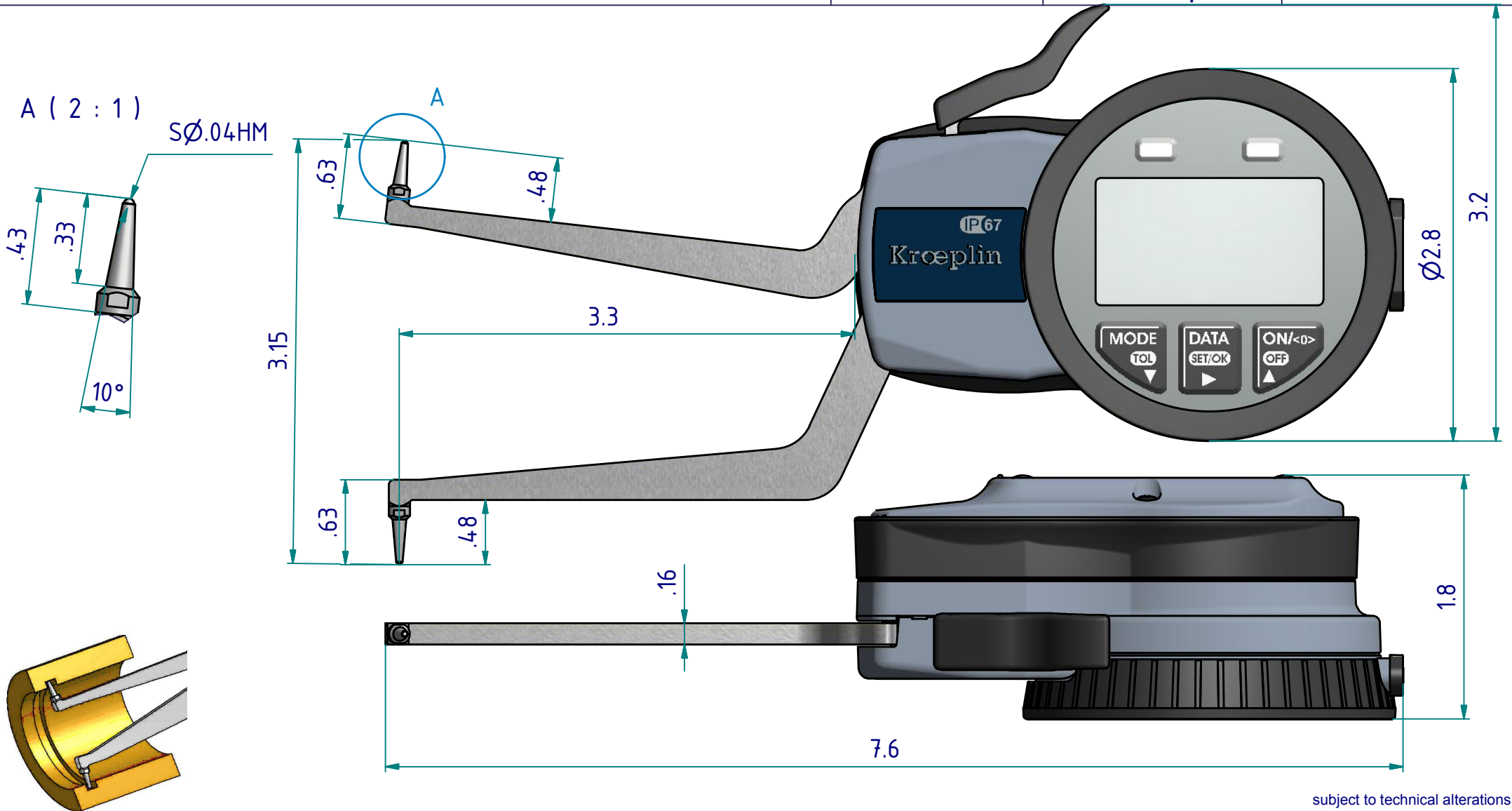


# data sheet: G260

Kroepelin GmbH  
Gartenstraße 50  
D-36381 Schlüchtern

Tel.: 06661 86 0  
Fax: 06661 86 39  
Mail: sales@kroepelin.com  
Web: www.kroepelin.com

**Kroepelin**  
Längenmesstechnik

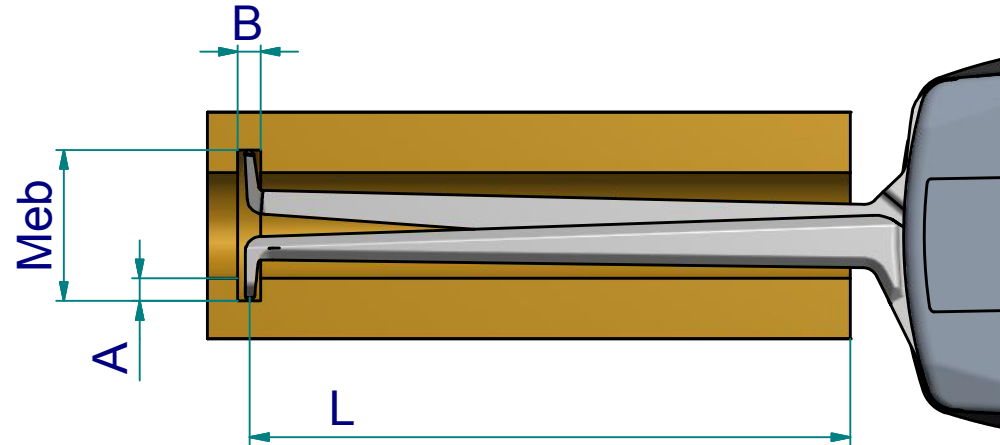


subject to technical alterations

**type:** G  
**range:** 2.36 - 3.15 INCH  
**range of indication:** 2.3425 - 3.1695 INCH  
**digital step:** .0005 INCH  
**scale interval:** -  
**measuring force:** 1,1 - 1,6 N  
**weight:** 270 g

acceptable deviations  
VDI/VDE/DGQ 2618 Bl. 12.1/13.1)  
**max. permissible errors "G":** .0015 INCH  
**repeatability "r":** .0005 INCH  
**reference temperature:** 20° C  
**operation temperature:** 10° C - 30° C  
**storage temperature:** -10° C - 50° C

**scale:** 1:1  
**drawing-nr.:** DAB-G260\_KR\_I  
**date of issue:** 07.01.09  
**name:** M. Balzer  
**revision status:** 001  
**revision date:** 09.03.10



measuring capacity

		measuring range Meb [inch]										
		2.36	2.44	2.52	2.60	2.68	2.76	2.83	2.91	2.99	3.07	3.15
groove depth A [inch]	0	0 / 3.21	0 / 3.22	0 / 3.26	0 / 3.30	0 / 3.37	0 / 3.41	0 / 3.43	0 / 3.43	0 / 3.44	0 / 3.45	0 / 3.47
	.039		.06 / 3.24	.06 / 3.25	.06 / 3.28	.06 / 3.32	.06 / 3.39	.06 / 3.42	.06 / 3.43	.06 / 3.43	.06 / 3.44	.06 / 3.45
	.079			.07 / 3.23	.07 / 3.26	.07 / 3.29	.07 / 3.35	.07 / 3.40	.07 / 3.42	.07 / 3.43	.07 / 3.43	.07 / 3.44
	.118				.07 / 3.24	.07 / 3.27	.07 / 3.31	.07 / 3.37	.07 / 3.41	.07 / 3.42	.07 / 3.43	.07 / 3.43
	.157					.08 / 3.25	.08 / 3.28	.08 / 3.33	.08 / 3.39	.08 / 3.41	.08 / 3.41	.08 / 3.42
	.197						.09 / 3.26	.09 / 3.29	.09 / 3.35	.09 / 3.40	.09 / 3.41	.09 / 3.41
	.236							.09 / 3.26	.09 / 3.30	.09 / 3.37	.09 / 3.40	.09 / 3.40
	.276								.10 / 3.27	.10 / 3.32	.10 / 3.38	.10 / 3.39
	.315									.11 / 3.28	.11 / 3.33	.11 / 3.39
		B / L										

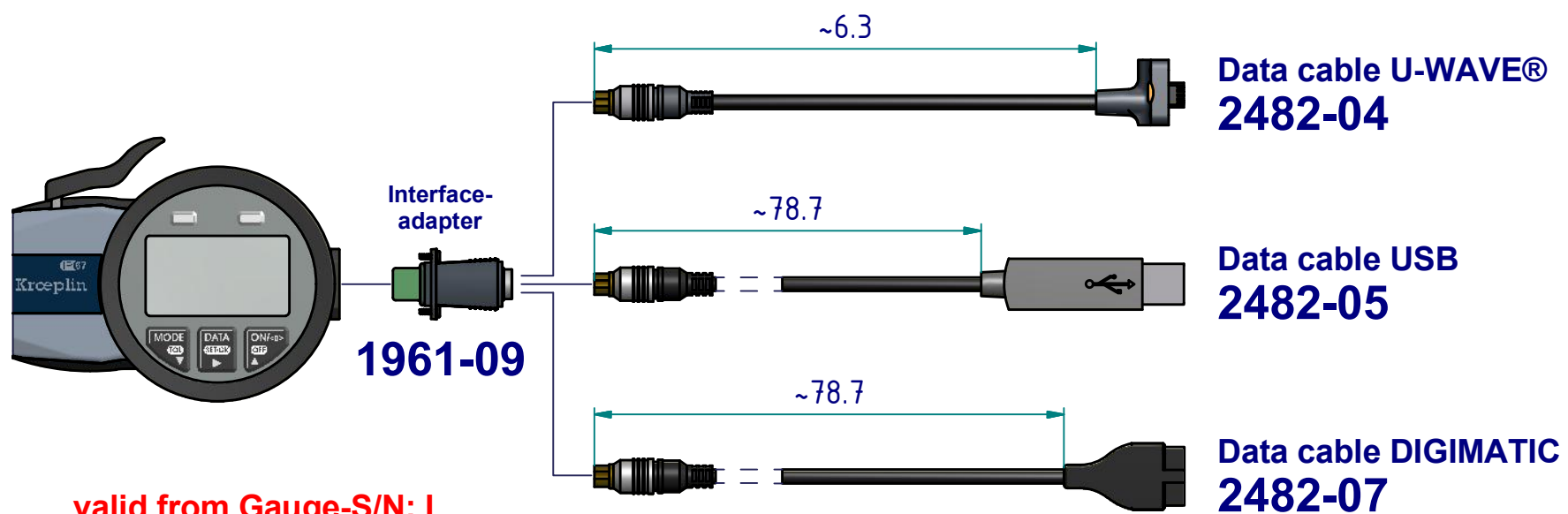
subject to technical alterations

**B = minimum groove width [inch]**  
**L = maximum usable arm length [inch]**

Example: Meb = 2.60 B = .07  
A = .079 L = 3.26

drawing-nr.: DAB-G260\_KR\_I  
date of issue: 07.01.09  
name: M. Balzer  
revision status:  
revision date:

interface as accessories available:



**valid from Gauge-S/N: I**  
**Always specify serial number**  
**when ordering Interfaces or accessories!**

subject to technical alterations

drawing-nr.:	DAB-G260_KR_I
date of issue:	07.01.09
name:	M. Balzer
revision status:	2043
revision date:	27.02.12