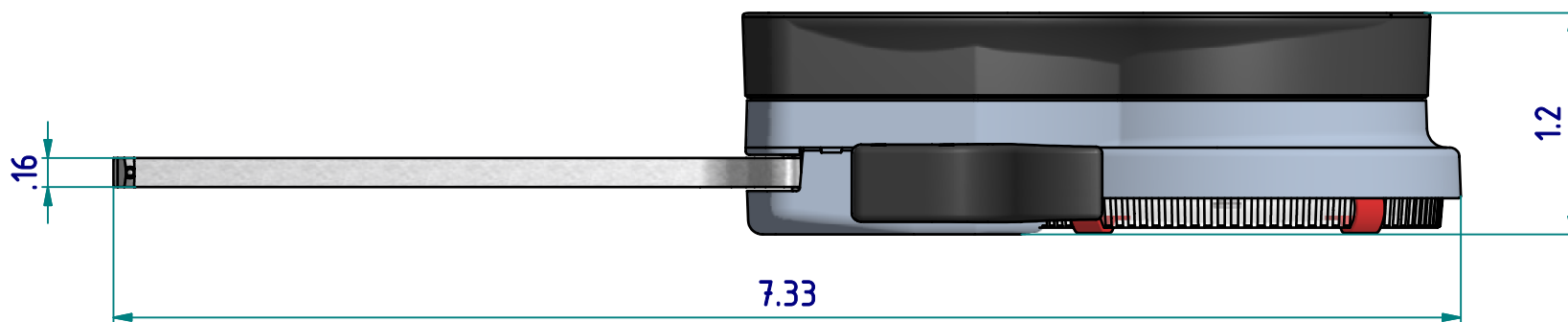
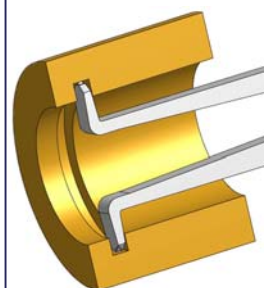
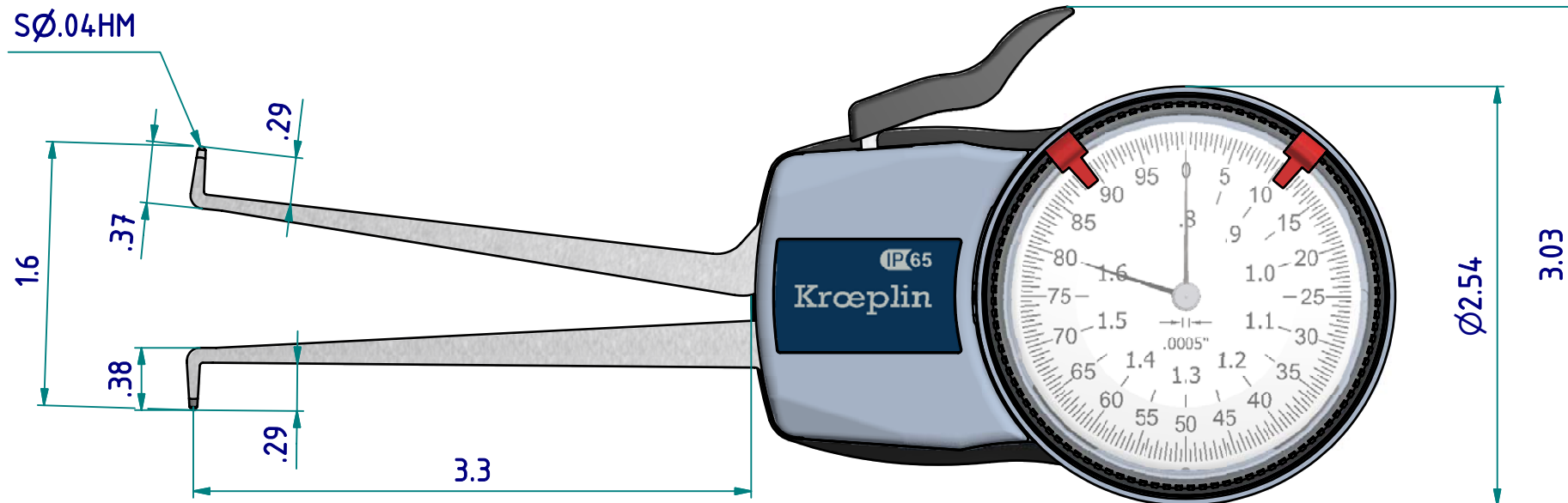


data sheet: H720

Kroeplin GmbH
Gartenstraße 50
D-36381 Schlüchtern

Tel.: 06661 86 0
Fax: 06661 86 39
Mail: sales@kroeplin.com
Web: www.kroeplin.com

Kroeplin
Längenmesstechnik

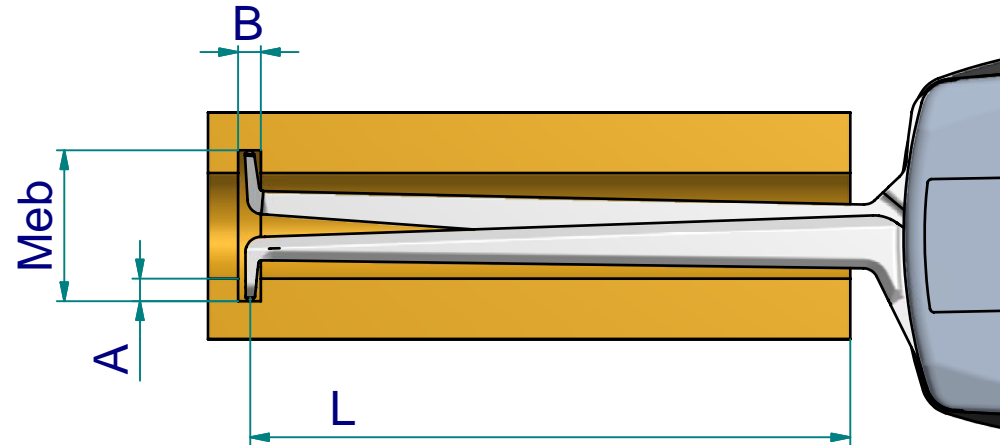


subject to technical alterations

type: H
range: .80 - 1.60 INCH
range of indication: .78 - 1.62 INCH
digital step: -
scale interval: .0005 INCH
measuring force: 1,1 - 1,6 N
weight: 180 g

acceptable deviations
VDI/VDE/DGQ 2618 Bl. 12.1/13.1)
max. permissible
errors "G": .0015 INCH
repeatability "r": .0005 INCH
reference temperature: 20° C
operation temperature: 10° C - 30° C
storage temperature: -10° C - 50° C

scale: 1:1
drawing-nr.: DAB-H720_KR_I
date of issue: 14.01.09
name: T.Koenig
revision status:
revision date:



measuring capacity

groove depth A [INCH]	measuring range Meb [INCH]									
	.79	.87	0.95	1.02	1.1	1.18	1.26	1.38	1.58	
0	0 / 3.07	0 / 3.30	0 / 3.34	0 / 3.35	0 / 3.41	0 / 3.42	0 / 3.43	0 / 3.44	0 / 3.47	
.04		.06 / 3.24	.06 / 3.32	.06 / 3.34	.06 / 3.39	.06 / 3.41	.06 / 3.42	.06 / 3.43	.06 / 3.45	
.08			.06 / 3.28	.06 / 3.33	.06 / 3.37	.06 / 3.40	.06 / 3.41	.06 / 3.43	.06 / 3.45	
.12				.07 / 3.30	.07 / 3.34	.07 / 3.38	.07 / 3.41	.07 / 3.42	.07 / 3.44	
.16					.08 / 3.32	.08 / 3.35	.08 / 3.39	.08 / 3.41	.08 / 3.43	
.20						.08 / 3.32	.08 / 3.36	.08 / 3.40	.08 / 3.42	
.24							.08 / 3.33	.08 / 3.38	.08 / 3.41	
.26								.09 / 3.37	.09 / 3.41	
	B / L									

subject to technical alterations

B = minimum groove width [INCH]
L = maximum usable arm length [INCH]

Example: Meb = 1.02 B = 3.34
A = .04 L = .06

drawing-nr.: DAB-H720_KR_I
date of issue: 14.01.09
name: T.Koenig

revision status:
revision date: