

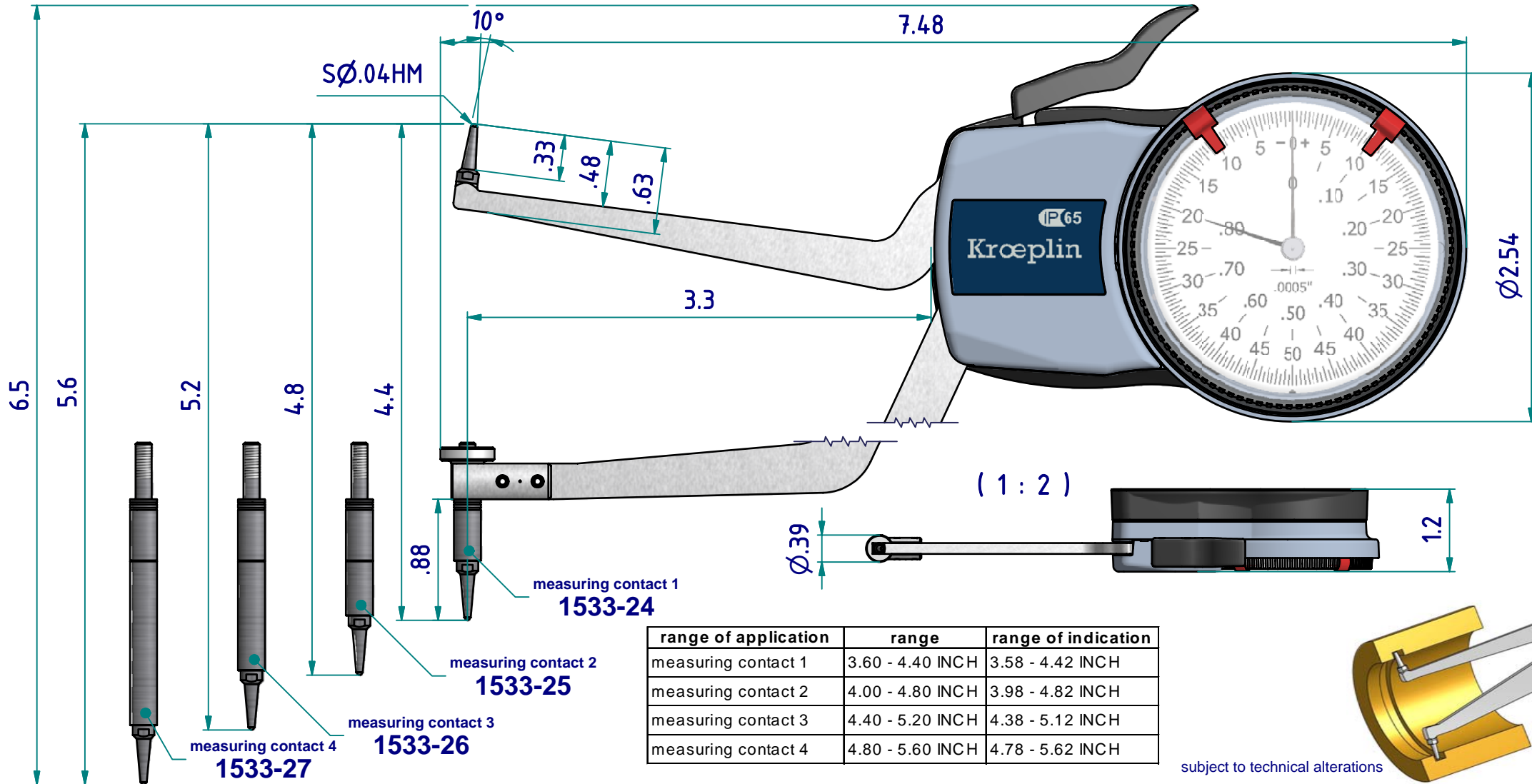
data sheet: H7M90

Kroepin GmbH
Gartenstraße 50
D-36381 Schlüchtern

Tel.: 06661 86 0
Fax: 06661 86 39
Mail: sales@kroepin.com
Web: www.kroepin.com

Kroepin
Längenmesstechnik

comparison measurement



subject to technical alterations

type: H
range: see table
range of indication: see table
digital step: -
scale interval: .0005 INCH
measuring force: 1,1 - 1,6 N
weight: 230 g

acceptable deviations
VDI/VDE/DGQ 2618 Bl. 12.1/13.1)
max. permissible errors "G": .0015 INCH
repeatability "r": .001 INCH
reference temperature: 20° C
operation temperature: 10° C - 30° C
storage temperature: -10° C - 50° C

scale: 1:1
drawing-nr.: DAB-H7M90_KR_I
date of issue: 14.01.09
name: T.Koenig
revision status: 001
revision date: 17.02.2010

data sheet: H7M90

Kroepin GmbH
Gartenstraße 50
D-36381 Schlüchtern

Tel.: 06661 86 0
Fax: 06661 86 39
Mail: sales@kroepin.com
Web: www.kroepin.com

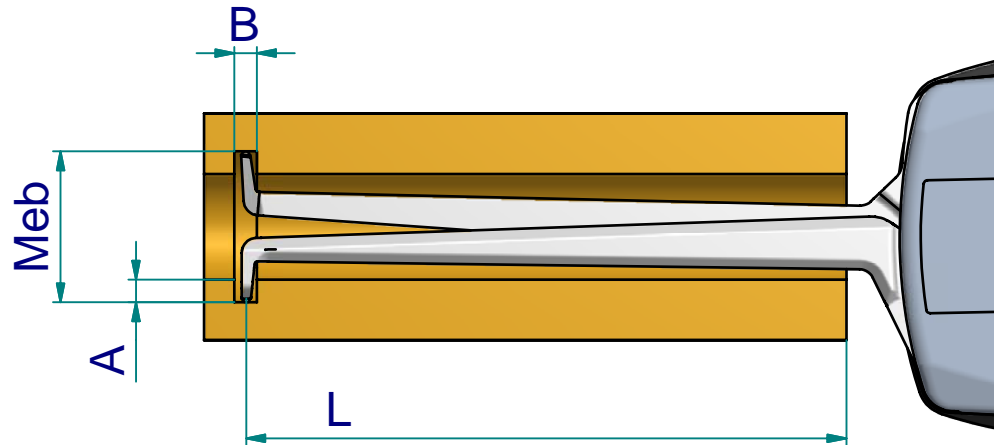
Kroepin
Längenmesstechnik

		measuring ranges M_{eb} [INCH]										
measuring contact 1 :	3.54	3.62	3.70	3.78	3.86	3.94	4.02	4.09	4.17	4.25	4.33	
measuring contact 2 :	3.94	4.02	4.09	4.17	4.25	4.33	4.41	4.49	4.57	4.65	4.72	
measuring contact 3 :	4.33	4.41	4.49	4.57	4.65	4.72	4.80	4.88	4.96	5.04	5.12	
measuring contact 4 :	4.72	4.80	4.88	4.96	5.04	5.12	5.20	5.28	5.35	5.43	5.51	
groove depth A [INCH]	0	0 / 3.21	0 / 3.24	0 / 3.26	0 / 3.30	0 / 3.37	0 / 3.41	0 / 3.43	0 / 3.44	0 / 3.44	0 / 3.46	0 / 3.48
	.04		.06 / 3.22	.06 / 3.25	.06 / 3.28	.06 / 3.32	.06 / 3.39	.06 / 3.42	.06 / 3.43	.06 / 3.44	.06 / 3.44	.06 / 3.45
	.08			.07 / 3.23	.07 / 3.26	.07 / 3.29	.07 / 3.35	.07 / 3.40	.07 / 3.42	.07 / 3.43	.07 / 3.43	.07 / 3.44
	.12				.07 / 3.24	.07 / 3.27	.07 / 3.31	.07 / 3.37	.07 / 3.41	.07 / 3.42	.07 / 3.43	.07 / 3.43
	.16					.08 / 3.25	.08 / 3.28	.08 / 3.33	.08 / 3.39	.08 / 3.41	.08 / 3.41	.08 / 3.42
	.2						.09 / 3.26	.09 / 3.29	.09 / 3.35	.09 / 3.39	.09 / 3.41	.09 / 3.41
	.24							.09 / 3.26	.09 / 3.30	.09 / 3.36	.09 / 3.39	.09 / 3.40
	.28								.10 / 3.27	.10 / 3.31	.10 / 3.36	.10 / 3.39
	.31									.11 / 3.28	.11 / 3.31	.11 / 3.38
		B / L										

B = minimum groove width [INCH]
L = maximum usable arm length [INCH]

Example: $M_{eb} = 4.96$ $B = .07$
 $A = .08$ $L = 3.26$

measuring capacity



subject to technical alterations

drawing-nr.:	DAB-H7M90_KR_I
date of issue:	14.01.09
name:	T.Koenig
revision status:	
revision date:	