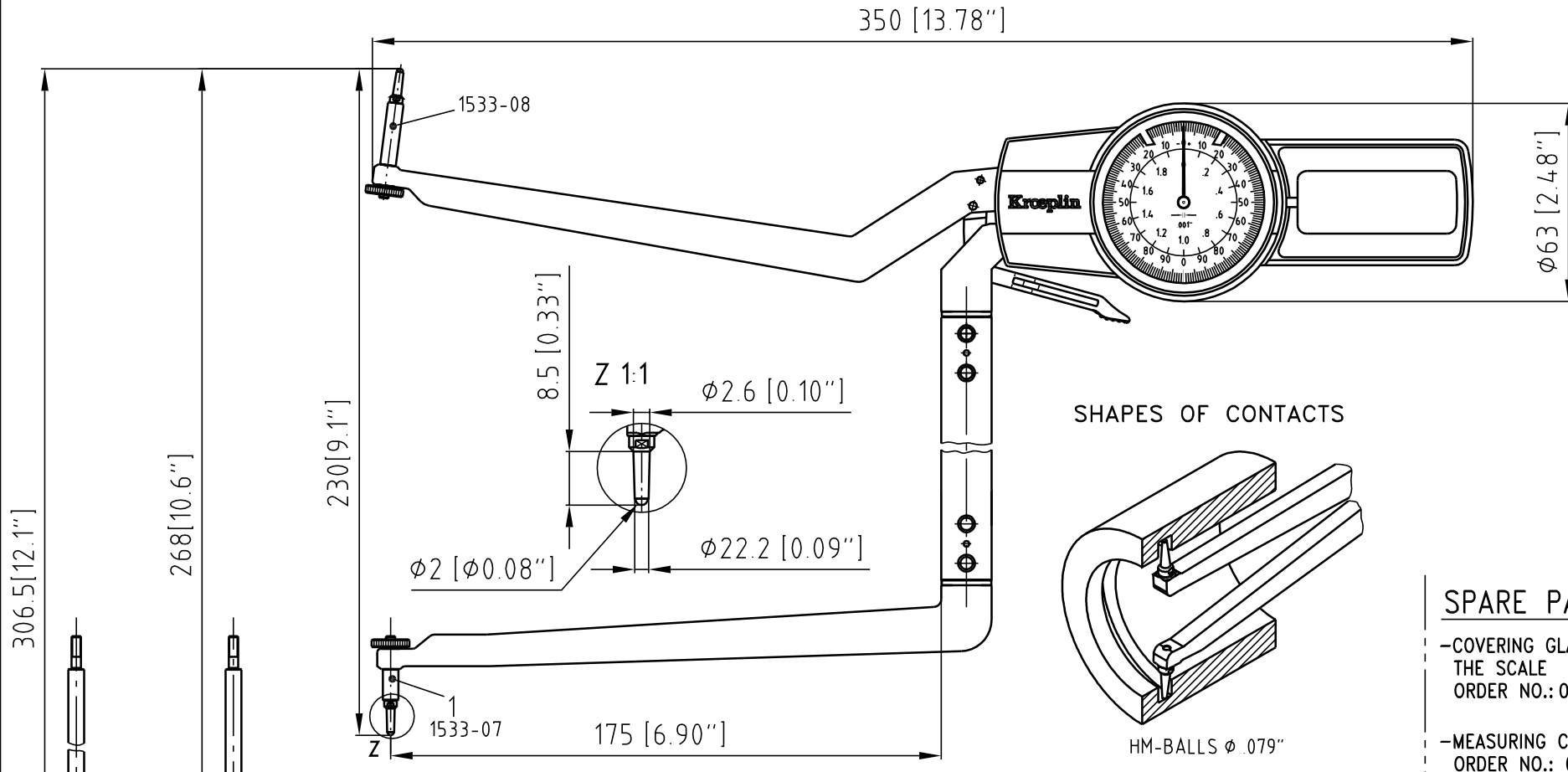


# DATA SHEET: IDZ20M180

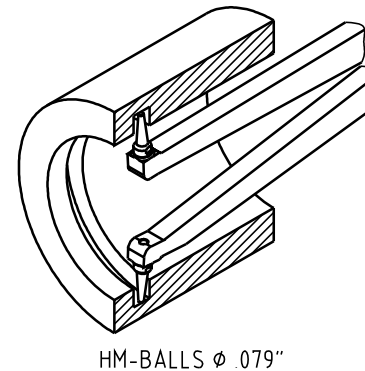
Kroepelin GmbH  
Gartenstraße 50  
36381 Schlüchtern

Telefon (06661)86 0  
Telefax (06661)86 39  
sales@kroepelin.com  
www.kroepelin.com

**Kroepelin**  
Längenmesstechnik



SHAPES OF CONTACTS



### SPARE PARTS

- COVERING GLASS OF THE SCALE  
ORDER NO.: 0450-08
- MEASURING CONTACT  
ORDER NO.: 0251-02
- HANDLE  
ORDER NO.: 0450-13



*)	Range of application with measuring contact 1	7.1" - 9.1"
	Range of application with measuring contact 2	8.6" - 10.6"
	Range of application with measuring contact 3	10.1" - 12.1"

\*\*) GAUGE FOR COMPARISON MEASUREMENT

SUBJECT TO TECHNICAL ALTERATIONS

SCALE 1:2

TYPE: Intertest  
PRICECLASS: 29  
RANGE OF APPLICATION: 7.1" - 12.1" \*)  
SCALE INTERVAL: .001"

MEASURING FORCE: 1.2 -2N  
WEIGHT: 520g

ACCEPTABLE DEVIATIONS (VDI/VDE/DGQ 2618 Bl. 12.1/13.1)

MAX. PERMISSIBLE ERRORS  
G = .006"  
REPEATABILITY  
r = .002"

\*\*)

REFERENCE TEMPERATURE: 20°C  
OPERATION TEMPERATURE: 10°C - 30°C  
STORAGE TEMPERATURE: -10°C - 50°C