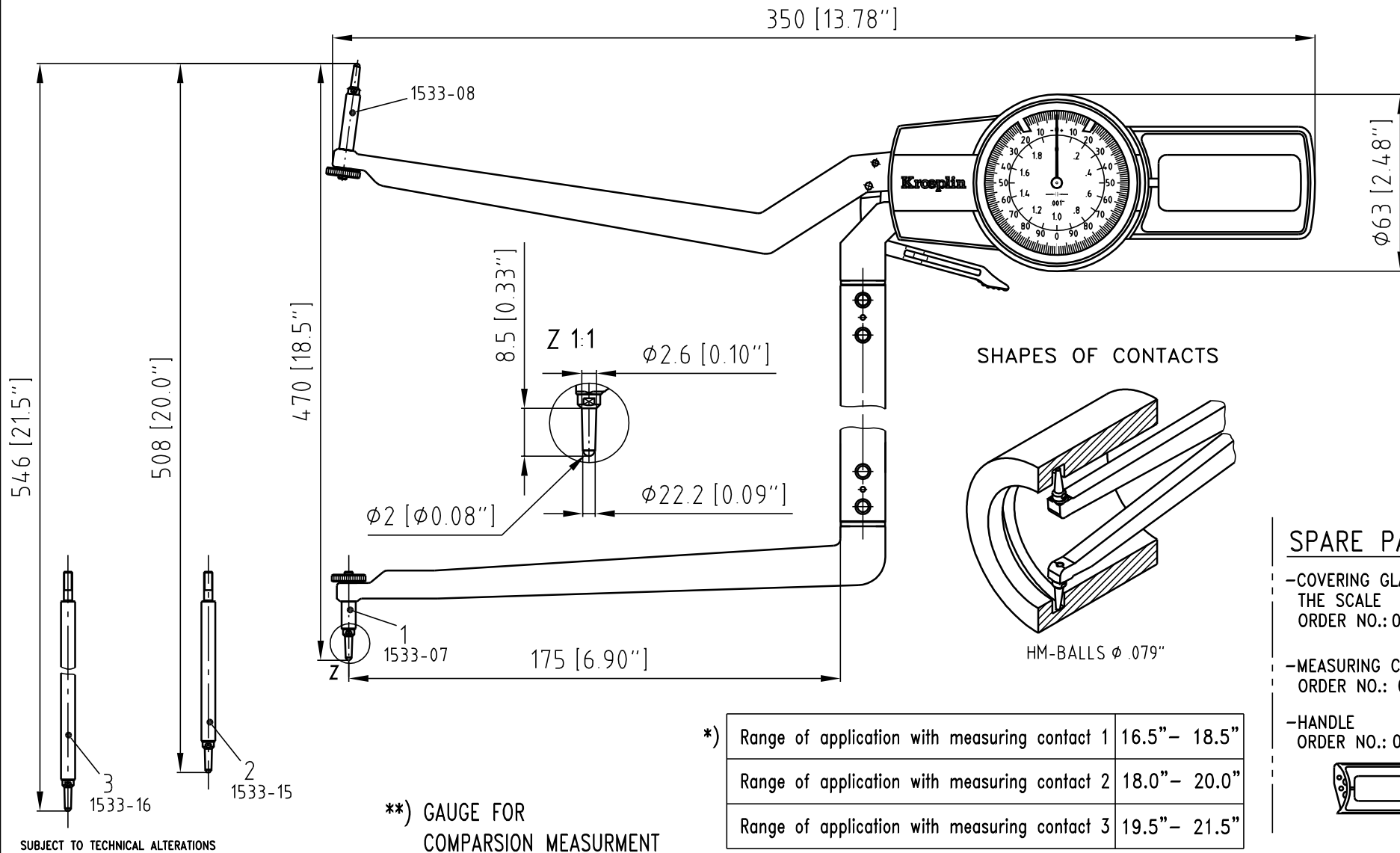


DATA SHEET: IDZ20M420

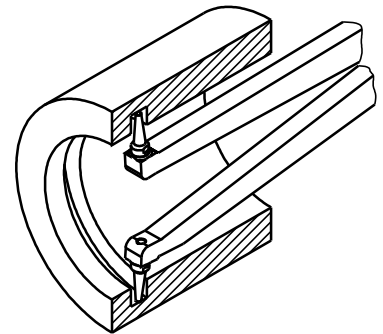
Kroepelin GmbH
Gartenstraße 50
36381 Schlüchtern

Telefon (06661)86 0
Telefax (06661)86 39
sales@kroepelin.com
www.kroepelin.com

Kroepelin
Längenmesstechnik



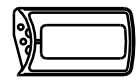
SHAPES OF CONTACTS



HM-BALLS ϕ .079"

SPARE PARTS

- COVERING GLASS OF THE SCALE
ORDER NO.: 0450-08
- MEASURING CONTACT
ORDER NO.: 0251-02
- HANDLE
ORDER NO.: 0450-13



*)	Range of application with measuring contact 1	16.5" - 18.5"
	Range of application with measuring contact 2	18.0" - 20.0"
	Range of application with measuring contact 3	19.5" - 21.5"

**) GAUGE FOR COMPARISON MEASUREMENT

SUBJECT TO TECHNICAL ALTERATIONS

SCALE 1:2

TYPE: Intertest	PRICECLASS: 31	MEASURING FORCE: 1.2 -2N	ACCEPTABLE DEVIATIONS (VDI/VDE/DGQ 2618 Bl. 12.1/13.1)	REFERENCE TEMPERATURE: 20°C
RANGE OF APPLICATION: 16.5"-21.5" *)	WEIGHT: 600g		MAX. PERMISSIBLE ERRORS G = .008"	OPERATION TEMPERATURE: 10°C - 30°C
SCALE INTERVAL: .001"			REPEATABILITY r = .002"	STORAGE TEMPERATURE: -10°C - 50°C