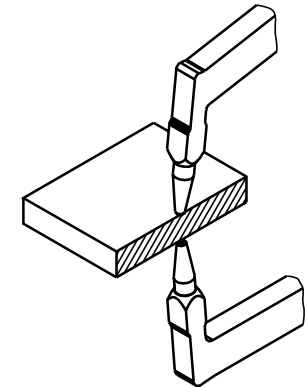
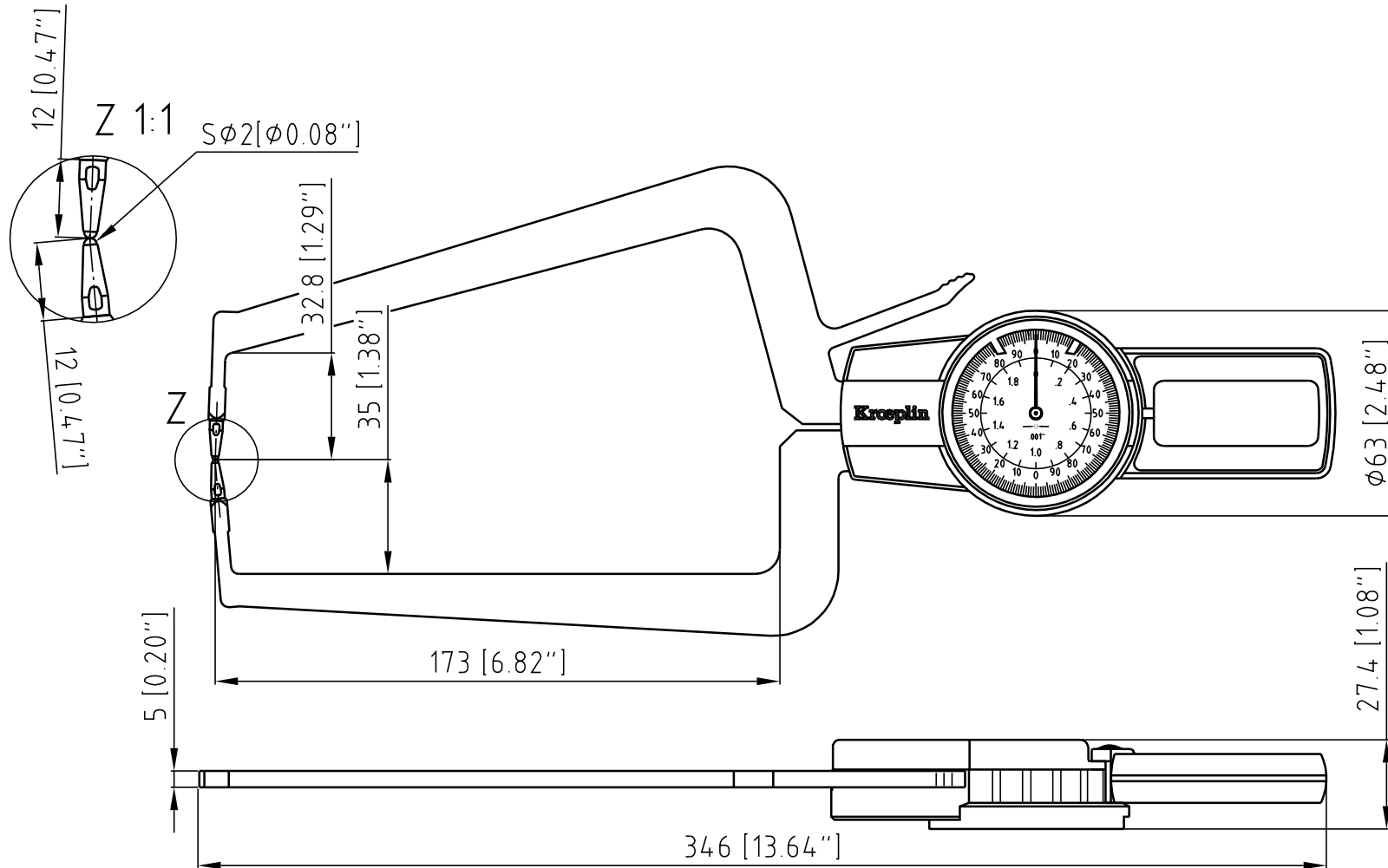


SHAPES OF CONTACTS



HM-BALLS $\phi .079''$

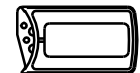


ACCESSORIES

- WOODEN CASE
ORDER NO.: 1732-30

SPARE PARTS

- COVERING GLASS OF THE SCALE
ORDER NO.: 0450-08
- MEASURING CONTACT
ORDER NO.: 0251-16
- HANDLE
ORDER NO.: 0450-13



SCALE 1:2

SUBJECT TO TECHNICAL ALTERATIONS

TYPE: Oditest PRICECLASS: 23
RANGE OF APPLICATION: 0.0" - 2.0"
SCALE INTERVAL: .001"

MEASURING FORCE: 1.2 - 1.8N
WEIGHT: 560g

ACCEPTABLE DEVIATIONS (VDI/VDE/DGQ 2618 Bl. 12.1/13.1)

MAX. PERMISSIBLE ERRORS $G = .002''$
REPEATABILITY $r = .001''$

REFERENCE TEMPERATURE: 20°C
OPERATION TEMPERATURE: 10°C - 30°C
STORAGE TEMPERATURE: -10°C - 50°C