



Clausing Radial Drills Models: CL720A

Features and Standard Equipment:

- Limit switch
- High speed gears are made of Nickel-Chrome Steel and are heat-treated and ground for durability
- Powerful 2 Hp spindle drive motor for heavy-duty cutting
- Extra auxiliary dial for spindle feed depth indication, allows review of spindle feed depth, .0394" to 7.874"
- Special spindle balance mechanism, superior to traditional balance mechanism and extends Balance Spring life
- Coolant system
- Low volt and overload protection
- CSA Electrics Standard ● Tool kit and manuals

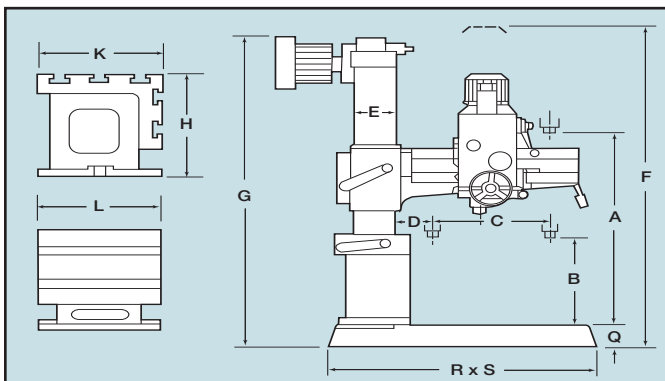
Specifications:

| Model | CL720A |
|--|----------------------------|
| Working Area: | |
| Column Sleeve Dia. (E) | 8.28" (210mm) |
| Column Face to Spindle Center Maximum (D+C) | 29.5" (750mm) |
| Minimum (D) | 8.7" (220mm) |
| Spindle Head Travel (C) | 20.8" (530mm) |
| Base Surface to Spindle End Maximum (A) | 41.7" (1060mm) |
| Minimum (B) | 10.2" (260mm) |
| Arm Vertical Travel (A-B) | 22.8" (580mm) |
| Arm Rotation (Right & Left) | 180° |
| Baseplate Working Surface | 35.5" x 25.3" (902x643mm) |
| Box Table Area | |
| Length (L) | 23.6" (600mm) |
| Width (K) | 17.5" (445mm) |
| Height (H) | 15" (380mm) |
| Base Dimensions | |
| Floor Area (R x S) | 49.6" x 25.2" (1260x640mm) |
| Height (Q) | 6.5" (160mm) |

| | |
|-----------------------------|------------------------------|
| Drill Head: | |
| Spindle Taper | 4MT |
| Spindle Stroke | 8.66" (220mm) |
| Quill Diameter | 2.95" (75mm) |
| Number of Spindle Speeds | 6 |
| Spindle Speeds (rpm) | 88, 154, 282, 455, 796, 1500 |
| Number of Feeds | 3 |
| Spindle Feed Rate (in/rev.) | 0.002"/0.0035"/0.006" |
| (mm/rev.) | .05mm/.09mm/.15mm |
| Spindle Drive Motor | 2 hp (1.5 Kw) |
| Elevating Motor | 1 hp (.75 Kw) |
| Coolant Pump Motor | 1/8 hp (.10 Kw) |

| | |
|--------------------------------|---------------------|
| Dimensions and Weights: | |
| Max. Machine Height (F) | 85.4" (2170mm) |
| Base and Column Height (G) | 72.8" (1850mm) |
| Shipping Dim. | |
| Length | 66.1" (1680mm) |
| Width | 32.5" (826mm) |
| Height | 85" (2160mm) |
| Net Weight | 2,469 lbs. (1120kg) |
| Shipping Weight | 2,756 lbs. (1250kg) |

Dimensions:



Capacities:

| Model | CL720A |
|------------------|---------------|
| Capacity: | |
| Drilling | |
| In Steel | 1.26" (32mm) |
| In Cast Iron | 2" (50mm) |
| Tapping | |
| In Steel | 1" (25mm) |
| In Cast Iron | 1.26" (32mm) |
| Boring | |
| In Steel | 2.75" (70mm) |
| In Cast Iron | 4.06" (105mm) |