



# Series T Geared-drive Round-column Drills

A heavy-duty Industrial Drilling Machine,  
designed for easy operation with manual feed

## Standard Features and Equipment:

- Drilling capacity in steel: 1" (25mm) maximum
- Drilling capacity in cast iron: 1.18" (30mm) maximum
- Tapping capacity in steel: .71" (18mm) maximum
- Tapping capacity in cast iron: .87" (22mm) maximum
- Depth scale and adjustable depth stop
- "RS" models are equipped with automatic feed reversing system for tapping
- Thermomagnetic switch
- Spindle reversing switch
- Automatic tool ejector
- Emergency STOP
- High/low speed range selector
- Drill guard with microswitch



Optional **MCC-KT**  
13.8" x 10.8 cross  
slide table



Controls mounted on the front  
of the headstock for operator  
convenience for fast and easy  
speed selection

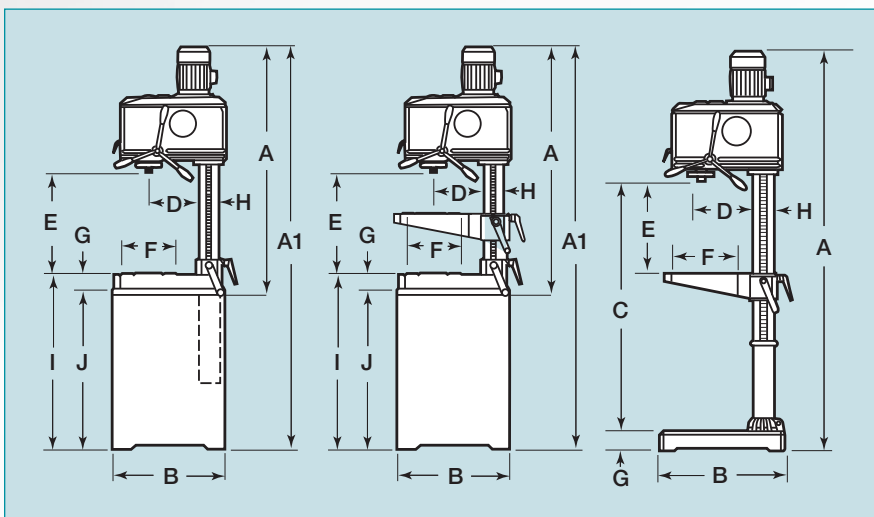
# Capacities, Specifications and Dimensions

Models Auto feed reversing "RS" Models	TS18	TM18	TL18	TS25 TS25RS	TM25 TM25RS	TL25 TL25RS
<b>Capacities:</b>						
Maximum drilling capacity in steel	.71" (18mm)	.71" (18mm)	.71" (18mm)	1" (25mm)	1" (25mm)	1" (25mm)
Maximum drilling capacity in cast iron	1" (25mm)	1" (25mm)	1" (25mm)	1.18" (30mm)	1.18" (30mm)	1.18" (30mm)
Maximum tapping capacity in steel	.55" (14mm)	.55" (14mm)	.55" (14mm)	.71" (18mm)	.71" (18mm)	.71" (18mm)
Maximum tapping capacity in cast iron	.71" (18mm)	.71" (18mm)	.71" (18mm)	.87" (22mm)	.87" (22mm)	.87" (22mm)
<b>Specifications:</b>						
Spindle taper	3MT	3MT	3MT	3MT	3MT	3MT
Quill diameter	2.44" (62mm)	2.44" (62mm)	2.44" (62mm)	2.44" (62mm)	2.44" (62mm)	2.44" (62mm)
Spindle travel (drilling depth)	4.72" (120mm)	4.72" (120mm)	4.72" (120mm)	4.72" (120mm)	4.72" (120mm)	4.72" (120mm)
Main motor power	.75/1.1 Hp (.55/.80 Kw)			1/1.5 Hp (.73/1.1 Kw)		
No. of speeds (see speed charts)	8	8	8	8	8	8
<b>Dimensions and Weights</b>						
Height (A)	47.6" (1210mm)	48.4" (1230mm)	75.8" (1925mm)	47.6" (1210mm)	48.4" (1230mm)	75.8" (1925mm)
Height (A1)	79.1" (2010mm)	79.9" (2030mm)	-	79.1" (2010mm)	79.9" (2030mm)	-
Base: length x width (B)	22" x 15" (560x380mm)	22" x 15" (560x380mm)	24" x 15" (600x380mm)	22" x 15" (560x380mm)	22" x 15" (560x380mm)	24" x 15" (600x380mm)
Base to spindle (C)	See (E)	20.9" (530mm)	47.6" (1210mm)	See (E)	20.9" (530mm)	47.6" (1210mm)
Spindle center to column (D)	9.84" (250mm)	9.84" (250mm)	9.84" (250mm)	9.84" (250mm)	9.84" (250mm)	9.84" (250mm)
Spindle to Table (E)						
Minimum	4.33" (110mm)	1.18" (30mm)	4.13" (105mm)	4.33" (110mm)	1.18" (30mm)	4.13" (105mm)
Maximum	19.7" (500mm)	12.6" (320mm)	25.2" (640mm)	19.7" (500mm)	12.6" (320mm)	25.2" (640mm)
Worktable: length x width (F)	-	10.6" x 11.8" (270 x 300mm)	-	-	10.6" x 11.8" (270 x 300mm)	-
Base height (G)	3.1" (80mm)	3.1" (80mm)	3.7" (95mm)	3.1" (80mm)	3.1" (80mm)	3.7" (95mm)
Column diameter (H)	3.94" (100mm)	3.94" (100mm)	3.94" (100mm)	3.94" (100mm)	3.94" (100mm)	3.94" (100mm)
Floor to top of base (I)	34.6" (880mm)	34.6" (880mm)	-	34.6" (880mm)	34.6" (880mm)	-
Cabinet height (J)	31.5" (800mm)	31.5" (800mm)	-	31.5" (800mm)	31.5" (800mm)	-
Net weight	298 lbs (135kg)	364 lbs (165kg)	408 lbs (185kg)	298 lbs (135kg)	364 lbs (165kg)	408 lbs (185kg)
Shipping weight	353 lbs (160kg)	419 lbs (190kg)	496 lbs (225kg)	353 lbs (160kg)	419 lbs (190kg)	496 lbs (225kg)
Shipping dimension (length x width x height)	20" x 32" x 55" (.5 x .8 x 1.4m)	20" x 32" x 55" (.5 x .8 x 1.4m)	20" x 36" x 75" (.5 x .9 x 2.1m)	20" x 32" x 55" (.5 x .8 x 1.4m)	20" x 32" x 55" (.5 x .8 x 1.4m)	20" x 36" x 75" (.5 x .9 x 2.1m)

**Standard motor: 1800/3600 rpm**

**Spindle speeds (rpm)**

90-192-300-504-612-1020-1740-3360



Optional  
**PKB**  
cabinets

