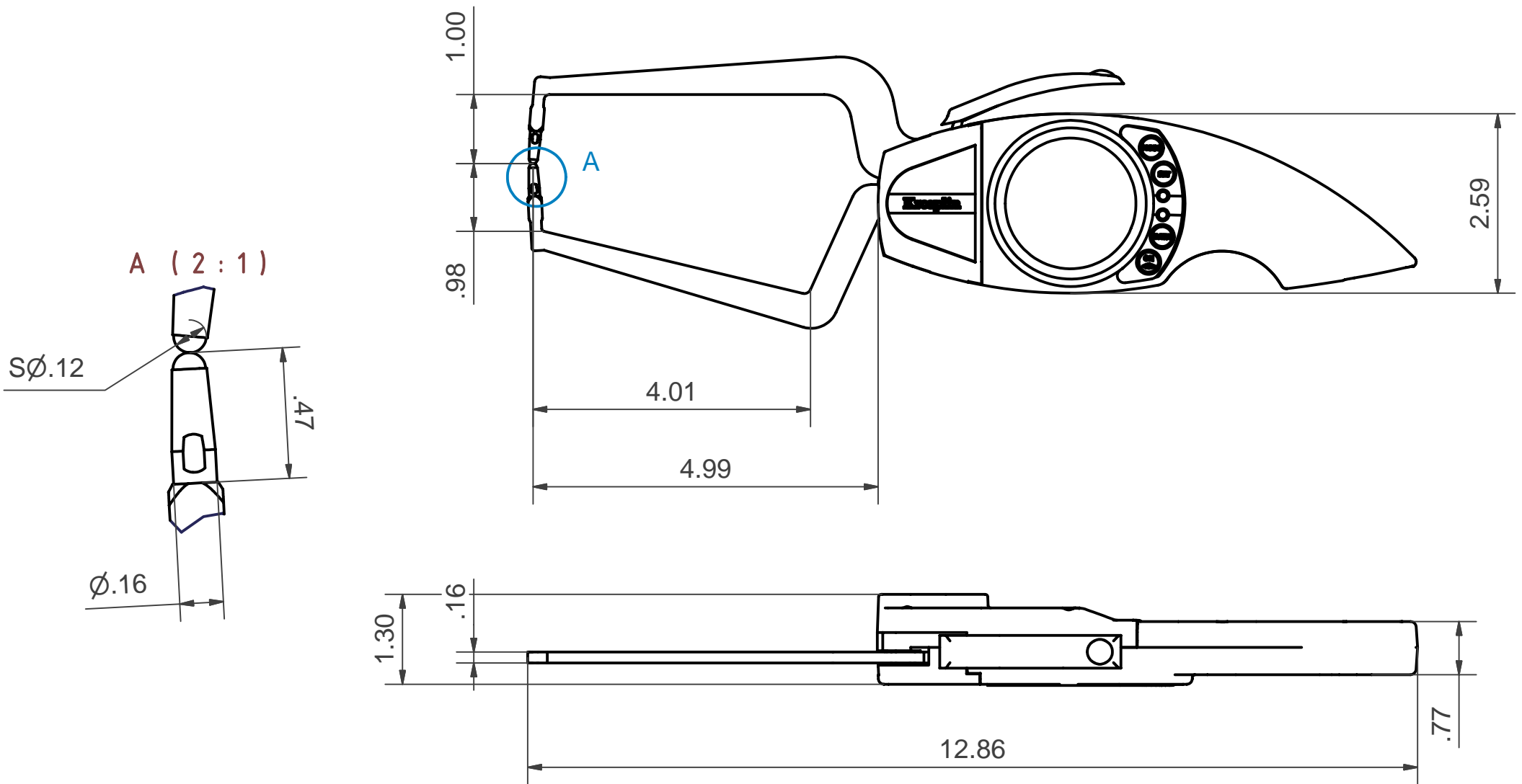


# DATA SHEET: B440

Kroeplin GmbH  
 Gartenstraße 50  
 36381 Schlüchtern

Telefon (06661)86 0  
 Telefax (06661)86 39  
 sales@kroeplin.com  
 www.kroeplin.com

**Kroeplin**  
 Längenmesstechnik



SUBJECT TO TECHNICAL ALTERATIONS

SCALE: 1:2

TYPE: B  
 PRICECLASS: 22  
 RANGE: 0 - 1.57 INCH  
 DIGITAL STEP: .001 INCH

RANGE OF INDICATION: 0 - 1.61 INCH  
 MEASURING FORCE: 1.0 - 1.5 N  
 WEIGHT: 380 g

ACCEPTABLE DEVIATIONS (VDI/VDE/DGQ 2618 Bl. 12.1/13.1)  
 MAX. PERMISSIBLE ERRORS: G = .002 INCH  
 REPEATABILITY: r = .001 INCH

REFERENCE TEMPERATURE: 20°C  
 OPERATION TEMPERATURE: 10°C - 30°C  
 STORAGE TEMPERATURE: -10°C - 50°C