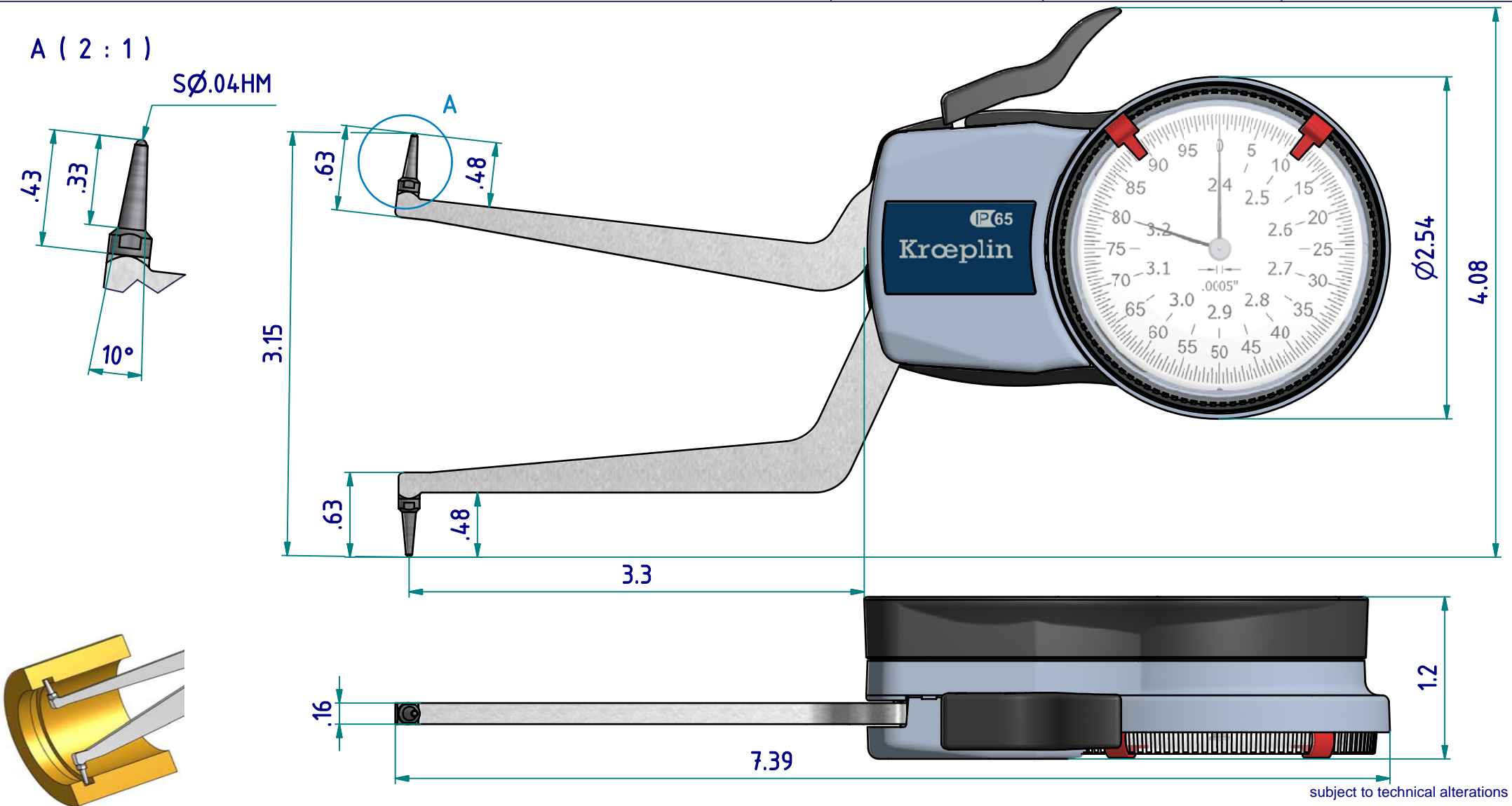


data sheet: H760

Kroepelin GmbH
Gartenstraße 50
D-36381 Schlüchtern

Tel.: 06661 86 0
Fax: 06661 86 39
Mail: sales@kroepelin.com
Web: www.kroepelin.com

Kroepelin
Längenmesstechnik

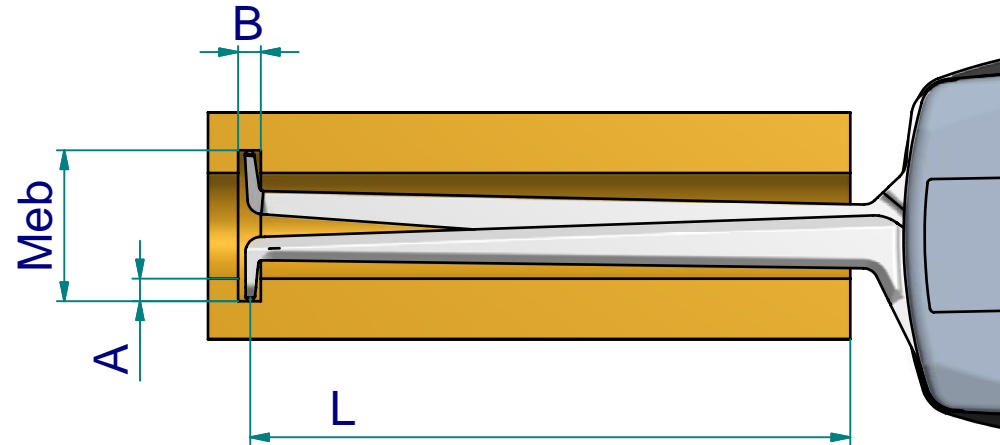


subject to technical alterations

type: H
range: 2.40 - 3.20 INCH
range of indication: 2.39 - 3.21 INCH
digital step: -
scale interval: .0005 INCH
measuring force: 1,1 - 1,6 N
weight: 200 g

acceptable deviations
VDI/VDE/DGQ 2618 Bl. 12.1/13.1)
max. permissible
errors "G": .0015 INCH
repeatability "r": .0005 INCH
reference temperature: 20° C
operation temperature: 10° C - 30° C
storage temperature: -10° C - 50° C

scale: 1:1
drawing-nr.: DAB-H760_KR_I
date of issue: 14.01.09
name: T.Koenig
revision status:
revision date:



measuring capacity

groove depth A [INCH]	measuring range Meb [INCH]										
	2.36	2.44	2.52	2.60	2.68	2.76	2.83	2.91	2.99	3.07	3.15
0	0 / 3.21	0 / 3.22	0 / 3.26	0 / 3.30	0 / 3.37	0 / 3.41	0 / 3.43	0 / 3.43	0 / 3.44	0 / 3.45	0 / 3.47
.04		.06 / 3.24	.06 / 3.25	.06 / 3.28	.06 / 3.32	.06 / 3.39	.06 / 3.42	.06 / 3.43	.06 / 3.43	.06 / 3.44	.06 / 3.45
.08			.07 / 3.23	.07 / 3.26	.07 / 3.29	.07 / 3.35	.07 / 3.40	.07 / 3.42	.07 / 3.43	.07 / 3.43	.07 / 3.44
.12				.07 / 3.24	.07 / 3.27	.07 / 3.31	.07 / 3.37	.07 / 3.41	.07 / 3.42	.07 / 3.43	.07 / 3.43
.16					.08 / 3.25	.08 / 3.28	.08 / 3.33	.08 / 3.39	.08 / 3.41	.08 / 3.41	.08 / 3.42
.20						.09 / 3.26	.09 / 3.29	.09 / 3.35	.09 / 3.4	.09 / 3.41	.09 / 3.41
.24							.09 / 3.26	.09 / 3.30	.09 / 3.37	.09 / 3.40	.09 / 3.40
.28								.10 / 3.27	.10 / 3.32	.10 / 3.38	.10 / 3.39
.31									.11 / 3.28	.11 / 3.33	.11 / 3.39
	B / L										

subject to technical alterations

drawing-nr.: DAB-H760_KR_I
date of issue: 14.01.09
name: T.Koenig

revision status:
revision date:

B = minimum groove width [INCH]
L = maximum usable arm length [INCH]

Example: Meb = 2.60 B = .07
A = .08 L = 3.26