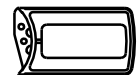


SPARE PARTS

- COVERING GLASS OF THE SCALE
ORDER NO.: 0450-08
- MEASURING CONTACT
ORDER NO.: 0251-02
- HANDLE
ORDER NO.: 0450-13



SCALE 1:2

SUBJECT TO TECHNICAL ALTERATIONS

TYPE: Intertest PRICECLASS: 26
RANGE OF APPLICATION: 5.9" – 7.9"
SCALE INTERVAL: .001"

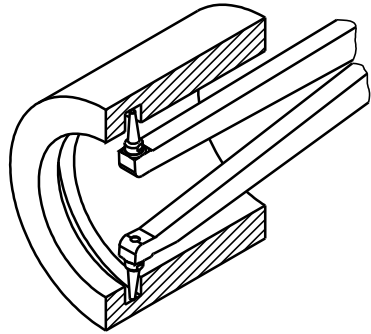
MEASURING FORCE: 1.2–2.0N
WEIGHT: 520g

ACCEPTABLE DEVIATIONS (VDI/VDE/DGQ 2618 Bl. 12.1/13.1)

MAX. PERMISSIBLE ERRORS $G = .003''$
REPEATABILITY $r = .001''$

REFERENCE TEMPERATURE: 20°C
OPERATION TEMPERATURE: 10°C – 30°C
STORAGE TEMPERATURE: -10°C – 50°C

SHAPES OF CONTACTS



HM-BALLS ϕ .079"

| GROOVE DEPTH A [inch] | MEASURING RANGE M [inch] | | | | | | | | | |
|-----------------------|--------------------------|----------|----------|----------|----------|----------|----------|----------|----------|----------|
| | 5.9 | 6.1 | 6.22 | 6.38 | 6.54 | 6.69 | 6.89 | 7.09 | 7.48 | 7.9 |
| 0 | 0/6.6 | 0/7.8 | 0/6.9 | 0/7.0 | 0/7.0 | 0/7.0 | 0/7.0 | 0/7.0 | 0/7.0 | 0/7.0 |
| .08 | | .083/6.7 | .083/6.8 | .083/7.0 | .083/7.0 | .083/7.0 | .083/7.0 | .083/7.0 | .083/7.0 | .083/7.0 |
| .16 | | | .087/6.9 | .087/6.9 | .087/7.0 | .087/7.0 | .087/7.0 | .087/7.0 | .087/7.0 | .098/7.0 |
| .24 | | | | .098/6.8 | .098/6.9 | .098/7.0 | .098/7.0 | .098/7.0 | .102/7.0 | .114/7.0 |
| .31 | | | | | .11/6.8 | .11/7.0 | .11/7.0 | .11/7.0 | .114/7.0 | .13/7.0 |
| .39 | | | | | | .122/6.9 | .122/7.0 | .122/7.0 | .126/7.0 | 146/7.0 |
| | | B/L | | | | | | | | |

B = MINIMUM GROOV WIDTH [inch]

L = MAXIMUM USABLE ARM LENGTH [inch]

EXAMPLE: M= 6.38" > B= .087"
 A= .16" > L= 6.9"

