



# Clausing Radial Drills

## Model: CL1230H

### Features and Standard Equipment:

- High-quality cast-iron arm with heat-treated and ground slides for smooth and accurate head positioning
- The bearing bracket for gear-box is fitted with standard bearings to fit arm slide for smooth gear-box operation
- High speed gears are made of Nickel-Chrome Steel and are heat-treated and ground for durability
- Powerful 3 Hp, 2-speed, heavy-duty spindle drive motor
- Overload protection device
- The main spindle is balanced by an adjustable block
- Coolant system
- Low volt and overload protection
- Equipped with hydraulic clamping. With a push of a button you can have arm unclamped then move vertically, or stop then clamp automatically
- CSA Electrics Standard ● Tool kit and manuals

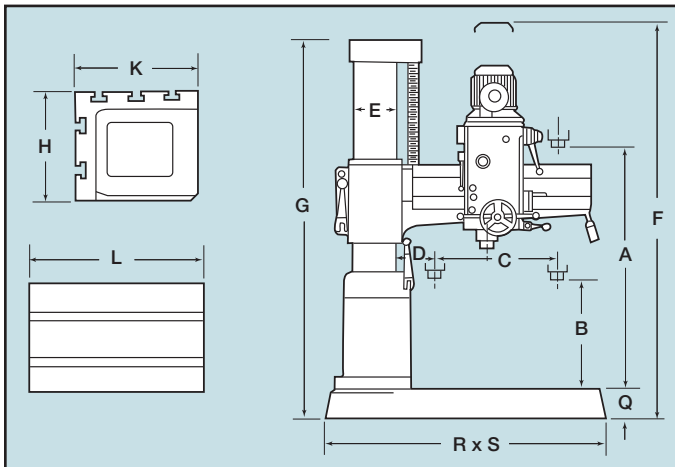
### Specifications:

Model	CL1230H
<b>Working Area:</b>	
Column Sleeve Dia. (E)	11.81" (300mm)
Column Face to Spindle Center Maximum (D+C)	46.1" (1170mm)
Minimum (D)	13.4" (340mm)
Spindle Head Travel (C)	35.0" (890mm)
Base Surface to Spindle End Maximum (A)	53.9" (1370mm)
Minimum (B)	19.3" (490mm)
Arm Vertical Travel (A-B)	24.8" (630mm)
Arm Rotation (Right & Left)	180°
Baseplate Working Surface	48" x 29.1" (1219 x 739mm)
Box Table Area	
Length (L)	25.0" (635mm)
Width (K)	24.5" (520mm)
Height (H)	16.3" (415mm)
Base Dimensions	
Floor Area (R x S)	67.9" x 28.1" (1725 x 715mm)
Height (Q)	7.1" (180mm)

<b>Drill Head:</b>	
Spindle Taper	4MT
Spindle Stroke	9.84" (250mm)
Quill Diameter	3.15" (80mm)
Number of Spindle Speeds	2
Spindle Speeds (rpm)	44-1500
Number of Feeds	3
Spindle Feed Rate (in(mm)/rev.)	0.002"/(.05mm), 0.0035"/(.09mm), 0.006"/(.15mm)
Spindle Drive Motor (2-speed)	3 hp (2.25 Kw)
Elevating Motor	1 hp (.75 Kw)
Clamping Motor	1 hp (.75 Kw)
Coolant Pump Motor	1/8 hp (.10 Kw)

<b>Dimensions and Weight:</b>	
Max. Machine Height (F)	109.5" (2780mm)
Base and Column Height (G)	81.1" (2060mm)
Shipping Dim.	
Length	80.1" (2035mm)
Width	32.5" (862mm)
Height	88.2" (2240mm)
Net Weight	4,630 lbs. (2100kg)
Shipping Weight	5,071 lbs. (2300kg)

### Dimensions:



### Capacities:

Model	CL1230H
<b>Capacity:</b>	
Drilling	
In Steel	1.65" (42mm)
In Cast Iron	2.16" (55mm)
Tapping	
In Steel	1" (25mm)
In Cast Iron	1.38" (38mm)
Boring	
In Steel	3.38" (86mm)
In Cast Iron	4.72" (120mm)