

MST SBH 4.0

Large Sanding Belt Holder for lathes



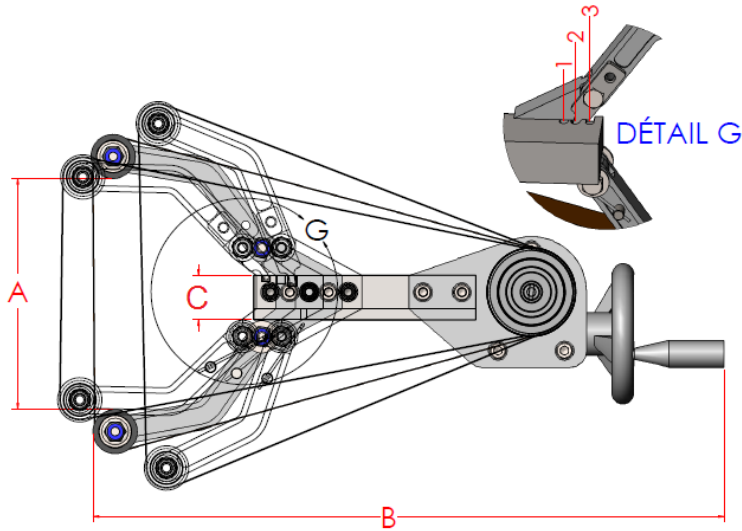
Description

4" x 54" (100 x 1372mm) belt

Very easy to use! This tool will allow a safe sanding on lathes. It protects the operator; eliminating the risks associated with the use of his hands.

Details

A tool for sanding and deburring on conventional lathes. Indeed, you can sand and debur without the direct use of hands (for safety). The tool is fixed to the existing toolpost of the conventional lathes. It allows sanding operations of metal parts, alloy and wood. A manually operated crank allows rotation of the abrasive belt (this index is needed for a more efficient sanding). This tool is designed to fit the different diameters of parts sanded. It also allows quick change abrasive belt .



AVAILABLE DIMENSIONS

SBH4.0	Max.Ø	A	B	C	Belt
1	16 5/8" (423mm)	16 5/8" (423mm)	14 3/8" (442mm)	1" (25mm)	4" X 54" (100 x 1372mm)
2	14 7/8" (380mm)	14 7/8" (380mm)	19 1/8" (486mm)	1" (25mm)	4" X 54" (100 x 1372mm)
3	13 1/2" (342mm)	13 1/2" (342mm)	20 3/8" (517mm)	1" (25mm)	4" X 54" (100 x 1372mm)

> [Instructions Manual](#)

MST SBH 1.0, 2.0 and 4.0

Instructions manual to download in PDF format

Image not readable or empty
/images/PDF-logo.gif

[Download our instructions manual](#)

PDF Format (1,5 Mo)